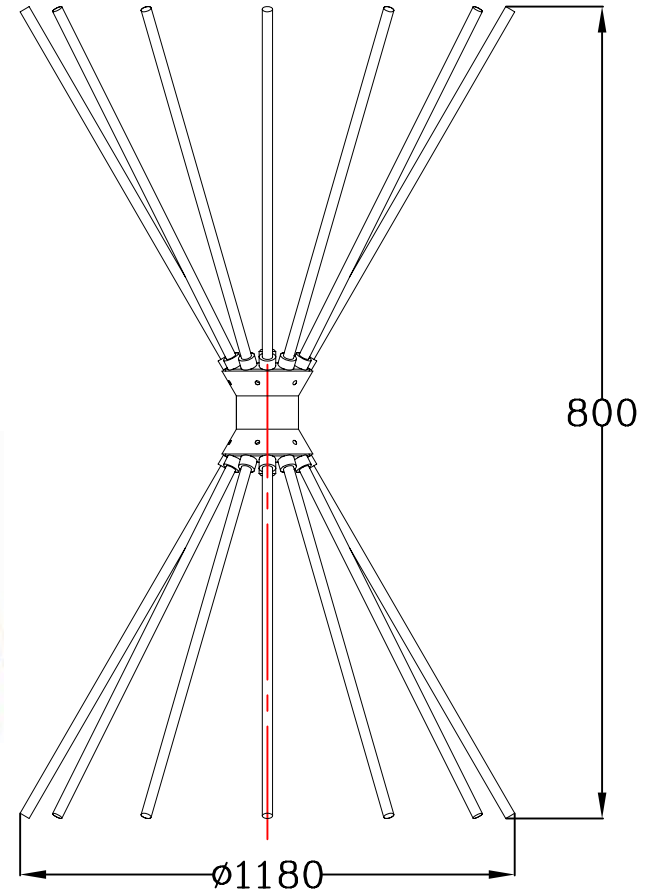


oceanmicrowave
 proprietary statement
 THE INFORMATION CONTAINED HEREIN IS
 COMPANY PROPRIETARY AND SHALL NOT BE
 DISCLOSED, COPIED OR USED IN WHOLE OR IN
 PART FOR ANY PURPOSE WITHOUT THE WRITTEN
 APPROVAL OF OCEANMICROWAVE CO.



SPECIFICATIONS

Frequency: 100-400MHz

Gain: 0dBi

VSWR.: 2.5:1

Average Power: 300W(CW)

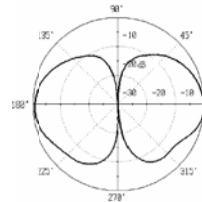
Polarization: Linear

Impedance: 50Ω

Port: N-K



Azimuth



Elevation

DRAWN

TAO

DATE

2010.2.3

CHEKED

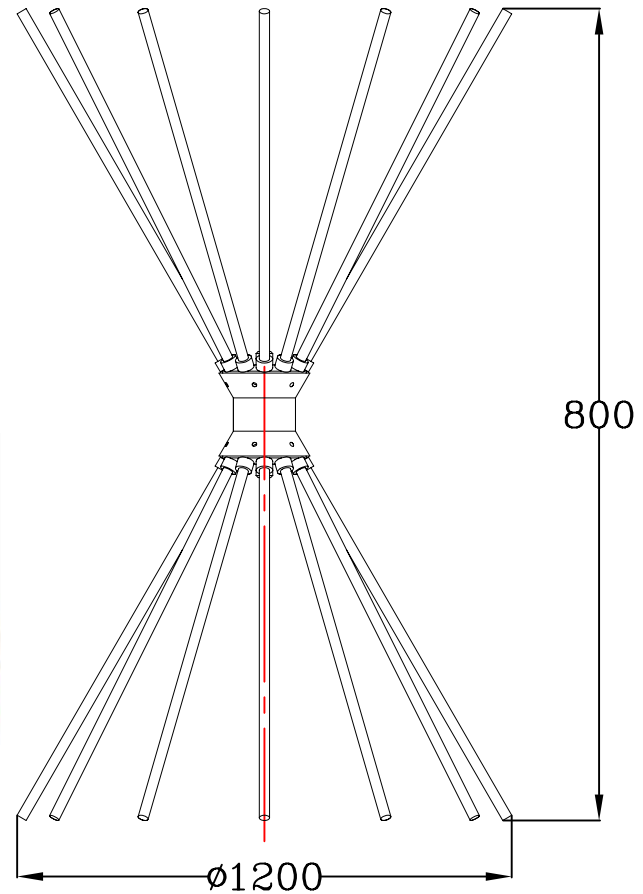
XING

DATE

2010.2.3

DIMENSIONS ARE IN mm		OCEAN MICROWAVE	
TOLERANCES		BICONICAL ANTENNA	
FRACTIONS ±1/64	DECIMALS .X ± .030	SCALE	SHEET 1 OF 1
ANGLES ±1/2°	.XX ± .020 .XXX ± .005	DO NOT SCALE THIS DRAWING	DRAWING NO.
THIRD ANGLE PROJECTION ⊕ Δ		SIZE D	OBC1040

oceanmicrowave
 proprietary statement
 THE INFORMATION CONTAINED HEREIN IS
 COMPANY PROPRIETARY AND SHALL NOT BE
 DISCLOSED, COPIED OR USED IN WHOLE OR IN
 PART FOR ANY PURPOSE WITHOUT THE WRITTEN
 APPROVAL OF OCEANMICROWAVE CO.



SPECIFICATIONS

Frequency: 100-1000MHz

Gain: 0dBi

VSWR.: 2.0:1

Average Power: 50W(CW)

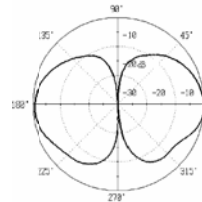
Polarization: Linear

Impedance: 50Ω

Port: N-K



Azimuth



Elevation

DRAWN

TAO

DATE

2010.2.3

CHEKED

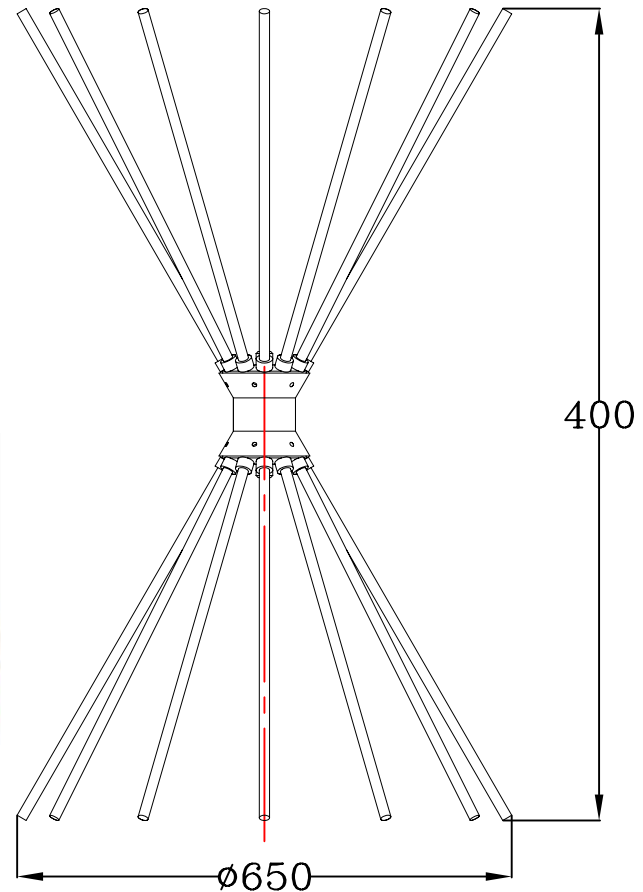
XING

DATE

2010.2.3

DIMENSIONS ARE IN mm		OCEAN MICROWAVE	
TOLERANCES		BICONICAL ANTENNA	
FRACTIONS ±1/64	DECIMALS .X ± .030	SCALE **:**	SHEET 1 OF 1
ANGLES ±1/2°	.XX ± .020 .XXX ± .005		
THIRD ANGLE PROJECTION ⊕ Δ	DO NOT SCALE THIS DRAWING	SIZE D	DRAWING NO. OBC10100

oceanmicrowave
 proprietary statement
 THE INFORMATION CONTAINED HEREIN IS
 COMPANY PROPRIETARY AND SHALL NOT BE
 DISCLOSED, COPIED OR USED IN WHOLE OR IN
 PART FOR ANY PURPOSE WITHOUT THE WRITTEN
 APPROVAL OF OCEANMICROWAVE CO.



SPECIFICATIONS

Frequency: 200-3000MHz

Gain: 0dBi

VSWR.: 2.5:1

Average Power: 200W(CW)

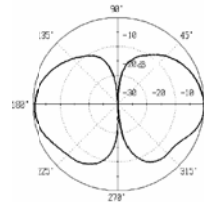
Polarization: Linear

Impedance: 50Ω

Port: N-K



Azimuth



Elevation

DRAWN

TAO

DATE

2010.2.3

CHEKED

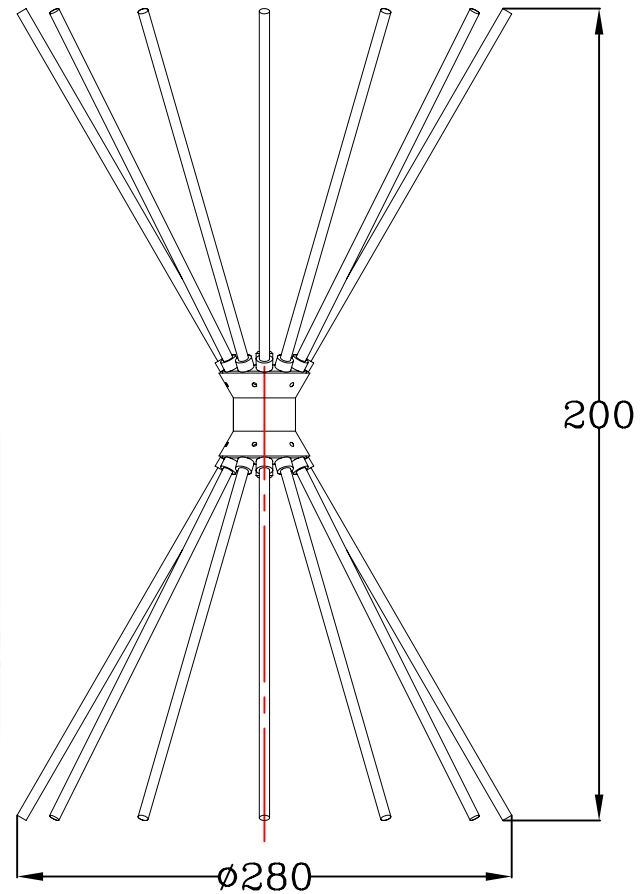
XING

DATE

2010.2.3

DIMENSIONS ARE IN mm		OCEAN MICROWAVE	
TOLERANCES		BICONICAL ANTENNA	
FRACTIONS ±1/64	DECIMALS .X ± .030	SCALE	SHEET 1 OF 1
ANGLES ±1/2°	.XX ± .020 .XXX ± .005	DO NOT SCALE THIS DRAWING	DRAWING NO. OBC20300
THIRD ANGLE PROJECTION ⊕ Δ		SIZE D	

oceanmicrowave
 proprietary statement
 THE INFORMATION CONTAINED HEREIN IS
 COMPANY PROPRIETARY AND SHALL NOT BE
 DISCLOSED, COPIED OR USED IN WHOLE OR IN
 PART FOR ANY PURPOSE WITHOUT THE WRITTEN
 APPROVAL OF OCEANMICROWAVE CO.



SPECIFICATIONS

Frequency: 500-3000MHz

Gain: 0dBi

VSWR.: 2:1

Average Power: 100W(CW)

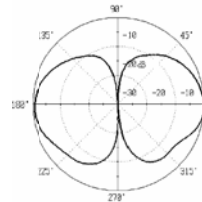
Polarization: Linear

Impedance: 50Ω

Port: N-K



Azimuth



Elevation

DRAWN

TAO

DATE

2010.2.3

CHEKED

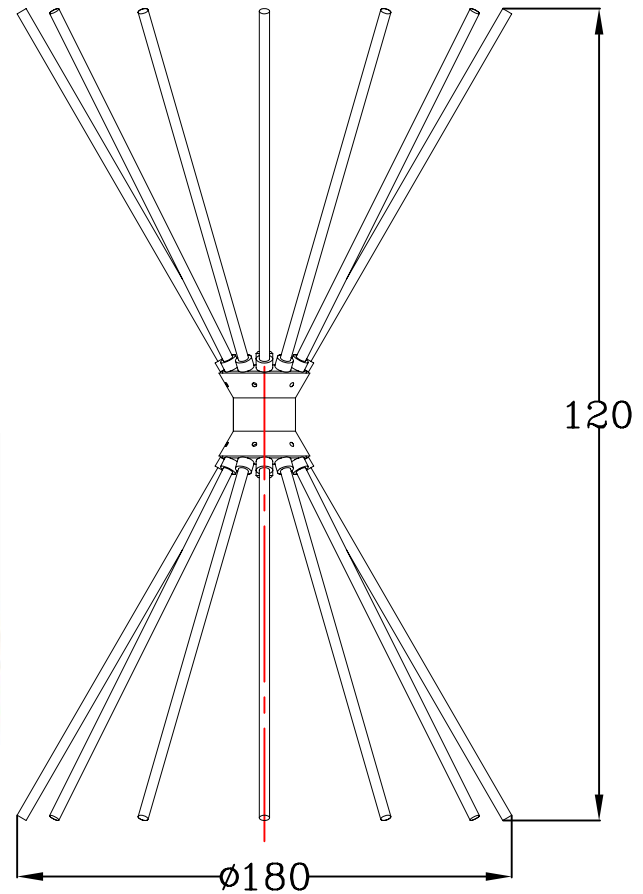
XING

DATE

2010.2.3

DIMENSIONS ARE IN mm		OCEAN MICROWAVE	
TOLERANCES		BICONICAL ANTENNA	
FRACTIONS ±1/64	DECIMALS .X ± .030	SCALE	SHEET 1 OF 1
ANGLES ±1/2°	.XX ± .020 .XXX ± .005	DO NOT SCALE THIS DRAWING	DRAWING NO.
THIRD ANGLE PROJECTION ⊕ Δ		SIZE D	OBC50300

oceanmicrowave
 proprietary statement
 THE INFORMATION CONTAINED HEREIN IS
 COMPANY PROPRIETARY AND SHALL NOT BE
 DISCLOSED, COPIED OR USED IN WHOLE OR IN
 PART FOR ANY PURPOSE WITHOUT THE WRITTEN
 APPROVAL OF OCEANMICROWAVE CO.



SPECIFICATIONS

Frequency: 1000-3000MHz

Gain: 0dBi

VSWR.: 2:1

Average Power: 100W(CW)

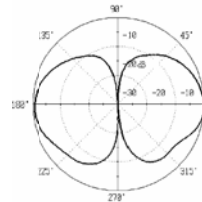
Polarization: Linear

Impedance: 50Ω

Port: N-K



Azimuth



Elevation

DRAWN

TAO

DATE

2010.2.3

CHEKED

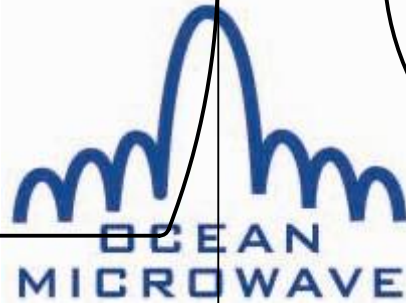
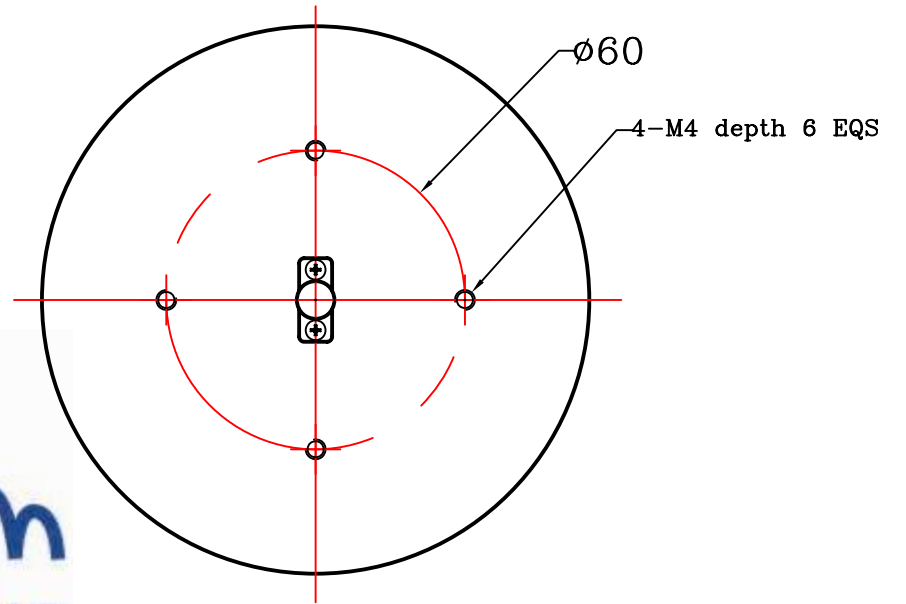
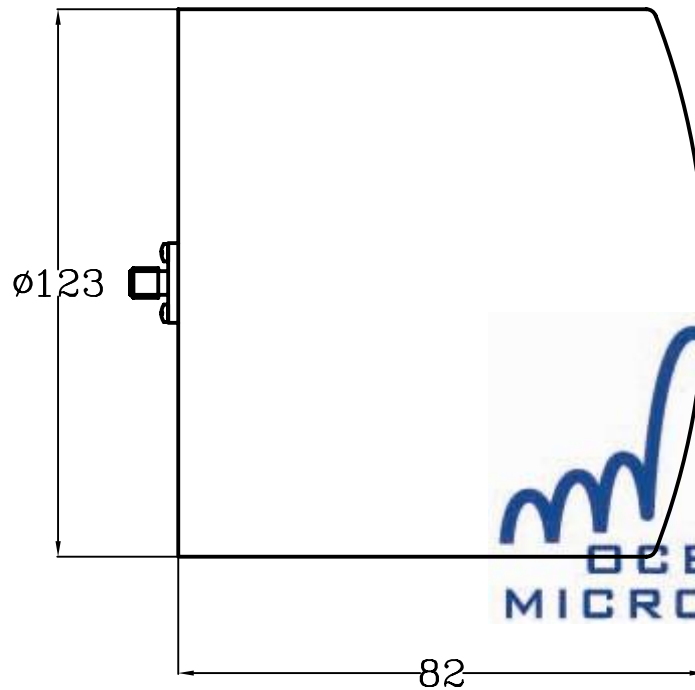
XING

DATE

2010.2.3

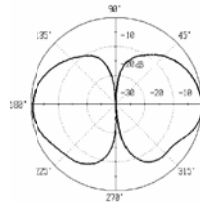
DIMENSIONS ARE IN mm		OCEAN MICROWAVE	
TOLERANCES		BICONICAL ANTENNA	
FRACTIONS ±1/64	DECIMALS .X ± .030	SCALE	SHEET 1 OF 1
ANGLES ±1/2°	.XX ± .020 .XXX ± .005	DO NOT SCALE THIS DRAWING	DRAWING NO.
THIRD ANGLE PROJECTION ⊕ Δ		SIZE D	OBC100300

oceanmicrowave
 proprietary statement
 THE INFORMATION CONTAINED HEREIN IS
 COMPANY PROPRIETARY AND SHALL NOT BE
 DISCLOSED, COPIED OR USED IN WHOLE OR IN
 PART FOR ANY PURPOSE WITHOUT THE WRITTEN
 APPROVAL OF OCEANMICROWAVE CO.



SPECIFICATIONS

Frequency: 2-18GHz
 Gain: 0dBi
 VSWR.: 2:1
 Average Power: 50W(CW)
 Polarization: Linear
 Impedance: 50Ω
 Port: SMA-K



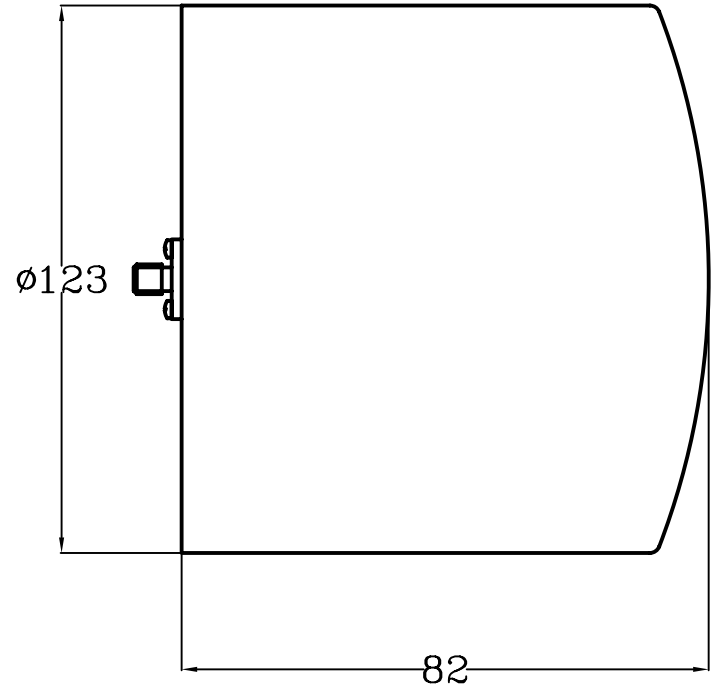
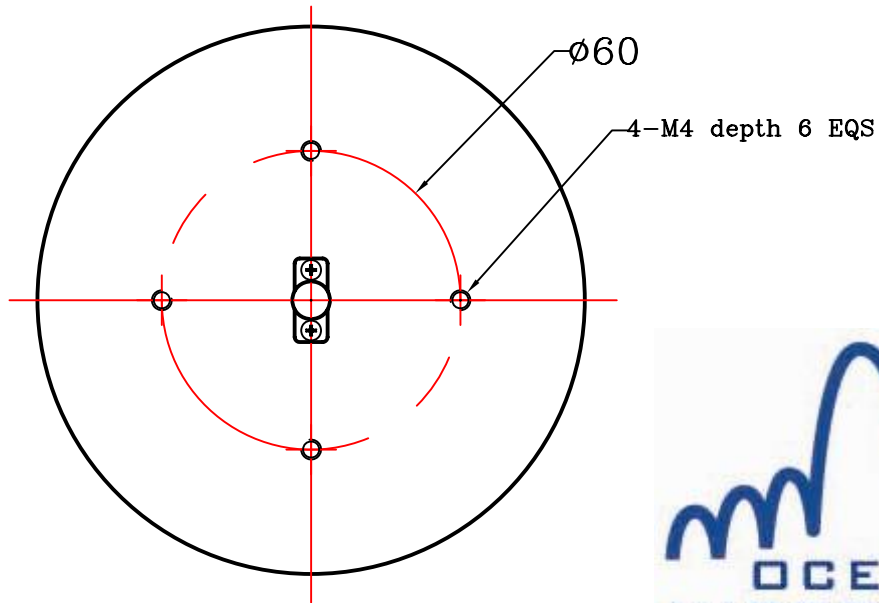
Azimuth

Elevation

DRAWN	TAO
DATE	2010.2.3
CHEKED	XING
DATE	2010.2.3

DIMENSIONS ARE IN mm		OCEAN MICROWAVE	
TOLERANCES		BICONICAL ANTENNA	
FRACTIONS ±1/64	DECIMALS .X ± .030	SCALE	SHEET 1 OF 1
ANGLES ±1/2°	.XX ± .020 .XXX ± .005	SIZE	DRAWING NO.
THIRD ANGLE PROJECTION ⊕ ▷	DO NOT SCALE THIS DRAWING	D	OBC2001800

oceanmicrowave
 proprietary statement
 THE INFORMATION CONTAINED HEREIN IS
 COMPANY PROPRIETARY AND SHALL NOT BE
 DISCLOSED, COPIED OR USED IN WHOLE OR IN
 PART FOR ANY PURPOSE WITHOUT THE WRITTEN
 APPROVAL OF OCEANMICROWAVE CO.

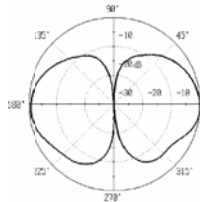


SPECIFICATIONS

Frequency: 2-26.5GHz
 Gain: 0dBi
 VSWR.: 2:1
 Average Power: 50W(CW)
 Polarization: Linear
 Impedance: 50Ω
 Port: SMA-K



Azimuth



Elevation

DRAWN

TAO

DATE

2010.2.3

CHEKED

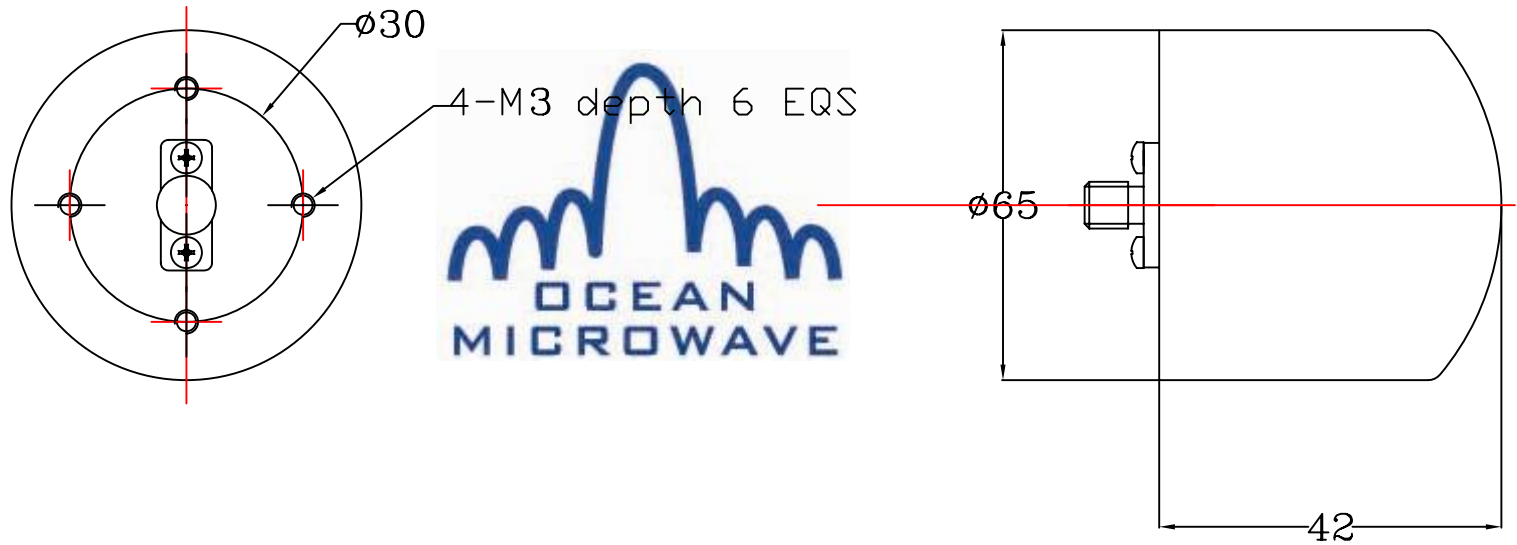
XING

DATE

2010.2.3

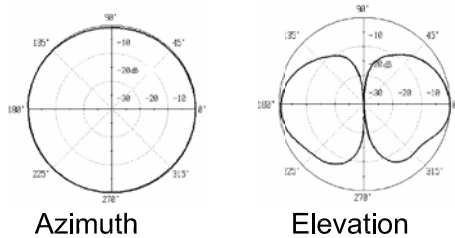
DIMENSIONS ARE IN mm		OCEAN MICROWAVE	
TOLERANCES		BICONICAL ANTENNA	
FRACTIONS ±1/64 ANGLES ±1/2°	DECIMALS .X ± .030 .XX ± .020 .XXX ± .005	SCALE **:**	SHEET 1 OF 1
THIRD ANGLE PROJECTION ⊕ ▷	DO NOT SCALE THIS DRAWING	SIZE D	DRAWING NO. OBC2002650

oceanmicrowave
 proprietary statement
 THE INFORMATION CONTAINED HEREIN IS
 COMPANY PROPRIETARY AND SHALL NOT BE
 DISCLOSED, COPIED OR USED IN WHOLE OR IN
 PART FOR ANY PURPOSE WITHOUT THE WRITTEN
 APPROVAL OF OCEANMICROWAVE CO.



SPECIFICATIONS

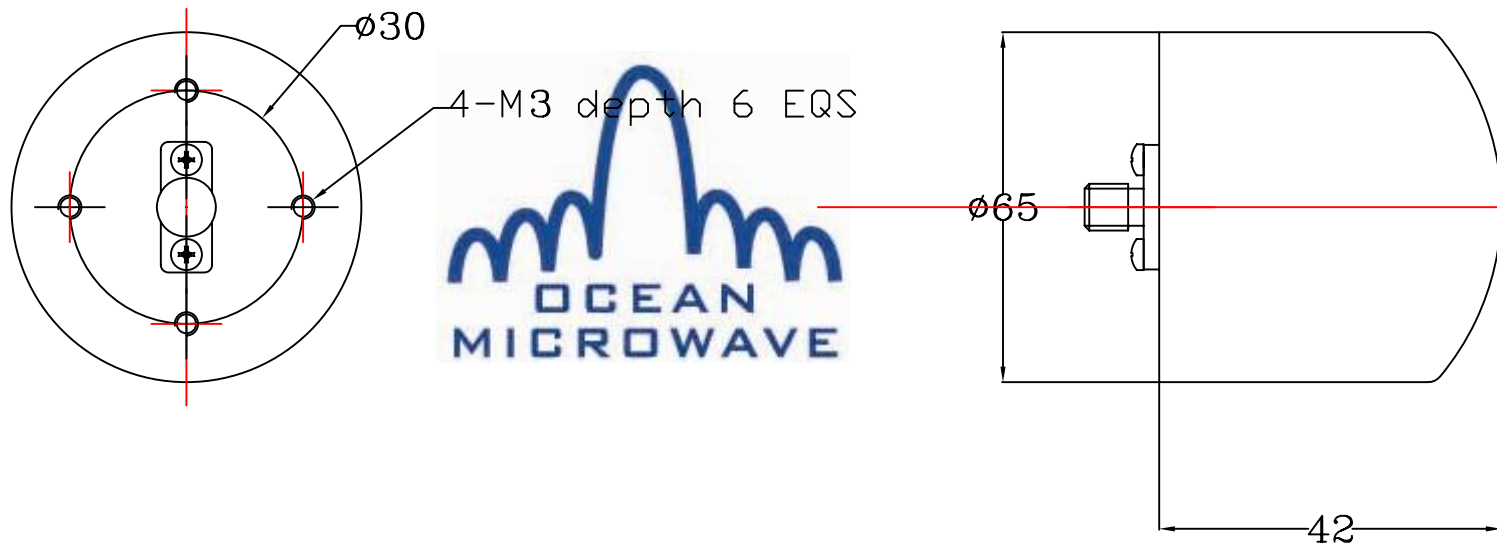
Frequency: 3-15GHz
 Gain: 0dBi
 VSWR.: 2.5:1
 Average Power: 50W(CW)
 Polarization: Linear
 Impedance: 50Ω
 Port: SMA-K



DIMENSIONS ARE IN mm		OCEAN MICROWAVE	
TOLERANCES			
FRACTIONS ±1/64	DECIMALS .X ± .030	BICONICAL ANTENNA	
ANGLES ±1/2°	.XX ± .020 .XXX ± .005		
THIRD ANGLE PROJECTION ⊕ ▷	DO NOT SCALE THIS DRAWING	SCALE **:**	SHEET 1 OF 1
		SIZE D	DRAWING NO. OBC3001500

DRAWN	TAO
DATE	2010.2.3
CHEKED	XING
DATE	2010.2.3

oceanmicrowave
 proprietary statement
 THE INFORMATION CONTAINED HEREIN IS
 COMPANY PROPRIETARY AND SHALL NOT BE
 DISCLOSED, COPIED OR USED IN WHOLE OR IN
 PART FOR ANY PURPOSE WITHOUT THE WRITTEN
 APPROVAL OF OCEANMICROWAVE CO.

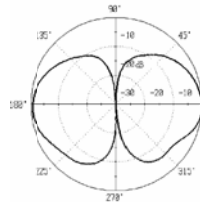


SPECIFICATIONS

Frequency: 14-26.5GHz
 Gain: 0dBi
 VSWR.: 2.5:1
 Average Power: 50W(CW)
 Polarization: Linear
 Impedance: 50Ω
 Port: SMA-K



Azimuth



Elevation

DIMENSIONS ARE IN mm		OCEAN MICROWAVE	
TOLERANCES			
FRACTIONS ±1/64	DECIMALS .X ± .030	BICONICAL ANTENNA	
ANGLES ±1/2°	.XX ± .020 .XXX ± .005		
THIRD ANGLE PROJECTION ⊕ ▷	DO NOT SCALE THIS DRAWING	SCALE **:**	SHEET 1 OF 1
		SIZE D	DRAWING NO. OBC140026500

DRAWN

TAO

DATE

2010.2.3

CHEKED

XING

DATE

2010.2.3