



ODC series discone antenna is a kind of broadband omni-directional linearly polarized antenna. Our discone antenna is designed to transmit and receive signal. Its typical gain is 1dBi on the greatest radiation direction. By adding a LNA, it can be used as an active antenna, and the gain can be increased to larger than 10dBi, but it is changed to a received only antenna.

Also we provide specific frequency Discone-type antennas according to customers' requirement.

Test reports are for reference only.

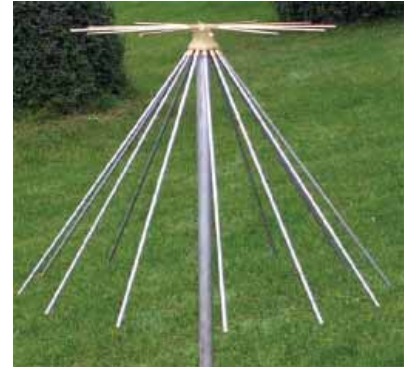
Model	Freq.(MHz)	VSWR Typ.	Power CW(W)	Connector	Size( × H) (mm)
ODC-450/P	40-500	2.5	300	N-Female	2150 × 1300
ODC-7100/P	70-1000	2.5	200	N-Female	1050 × 650
ODC-850/G	80-500	2.5	300	N-Female	1070 × 700
ODC-850/P	80-500	2.5	300	N-Female	1180 × 920
ODC-1040/P	100-400	2.5	300	N-Female	1180 × 920
ODC-2040/P	200-400	2.5	300	N-Female	-
ODC-25100/P	250-1000	2.5	-	N-Female	476 × 425
ODC-80200/P	800-2000	2.8	-	N-Female	155 × 140
ODC-100800/p	1000-8000	2.5	-	SMA-Female	110 × 120
ODC-1001200/P	1000-12000	2.5	80	SMA-Female	110 × 116
ODC-8001800/P	8000-18000	2.5	-	SMA-Female	45 × 60
ODC-50300/P	500-3000	2.0	100	SMA/N-Female	280 × 200
ODC-100300/P	1000-3000	2.0	100	SMA/N-Female	180 × 120



**250~1000MHz**

P/N: ODC-25100/P

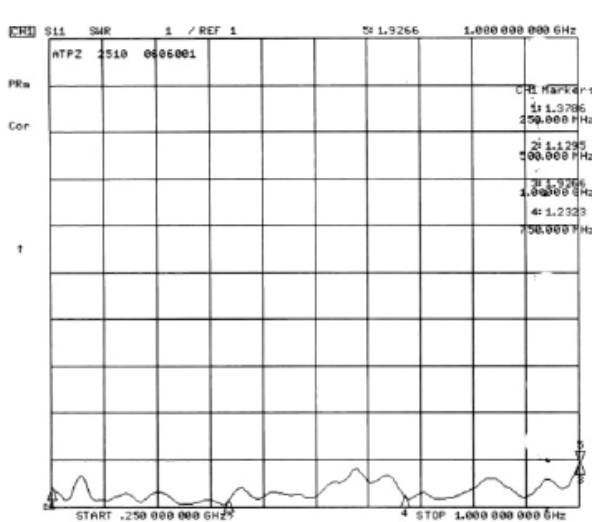
# Discone-type Antenna



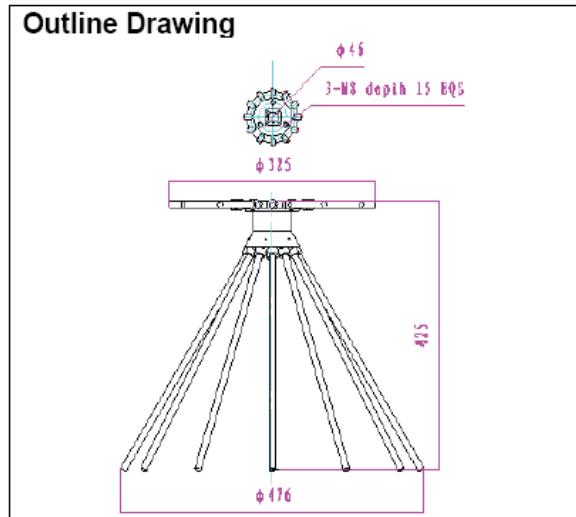
## Technical Specification

Frequency (MHz)	250-1000
Polarization	Vertical
VSWR(Typ.)	2.5
Connetor	N-Female
Size(mm)	Φ476 x 425

## VSWR

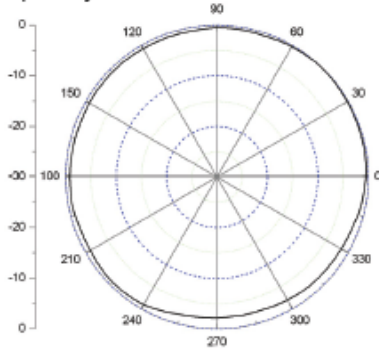


## Outline Drawing



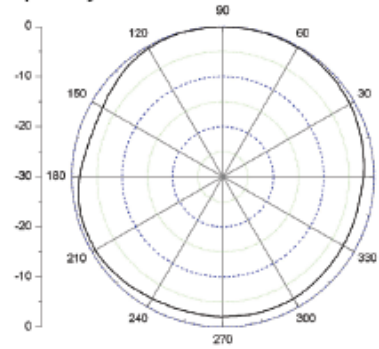
## Pattern

Frequency:0.25GHz



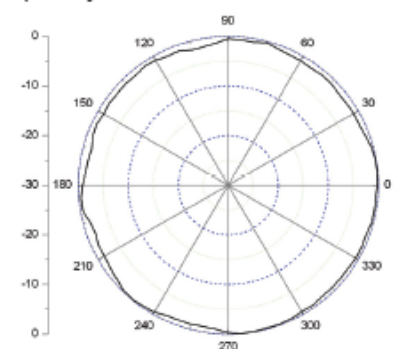
Azimuth

Frequency:0.5GHz



Azimuth

Frequency:1.0GHz



Azimuth



# Discone-type Antenna

**1000~12000MHz**

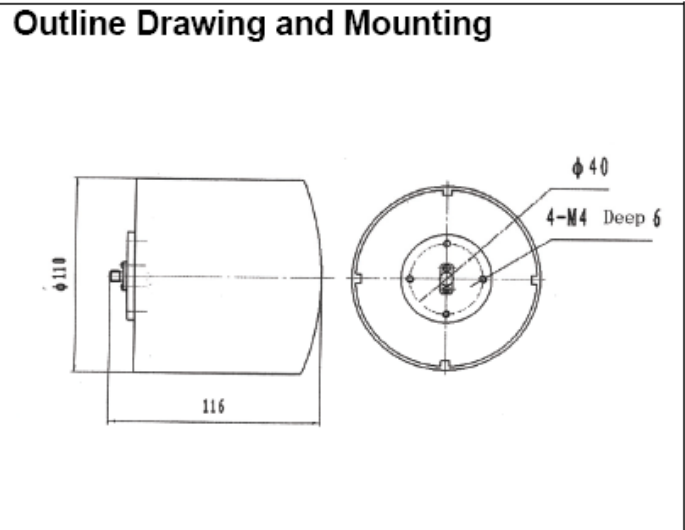
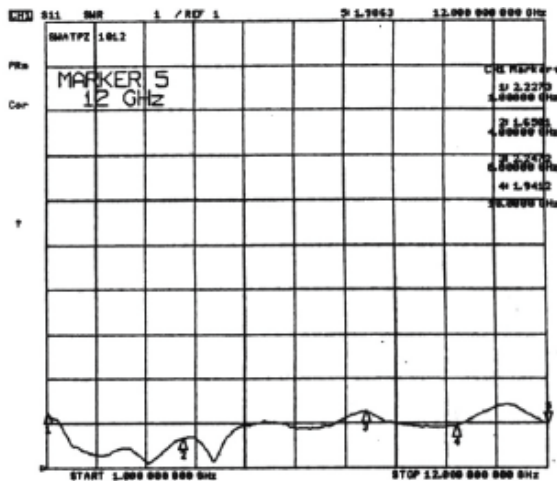
P/N: ODC-1001200/P

## Technical Specification

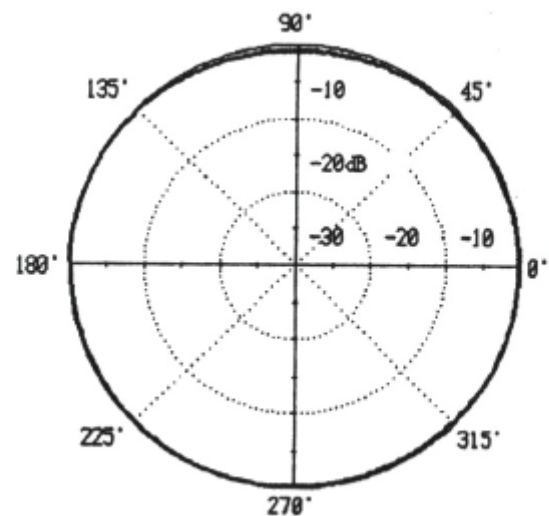
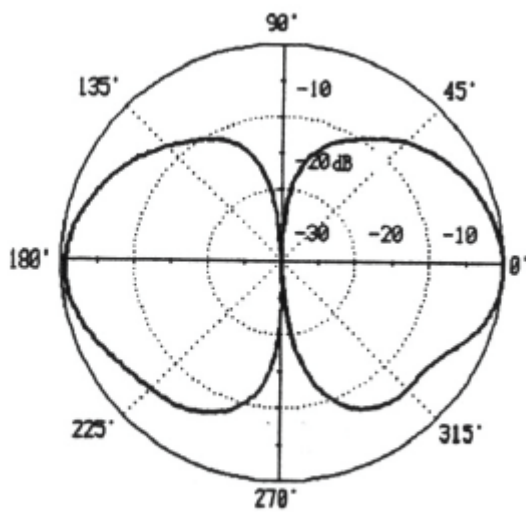
Frequency (MHz)	1000-1200
Power CW(W)	80
VSWR(Typ.)	2.5
Connetor	SMA-Female
Size(mm)	Φ110 × 116



## VSWR



## Pattern





# Discone-type Antenna

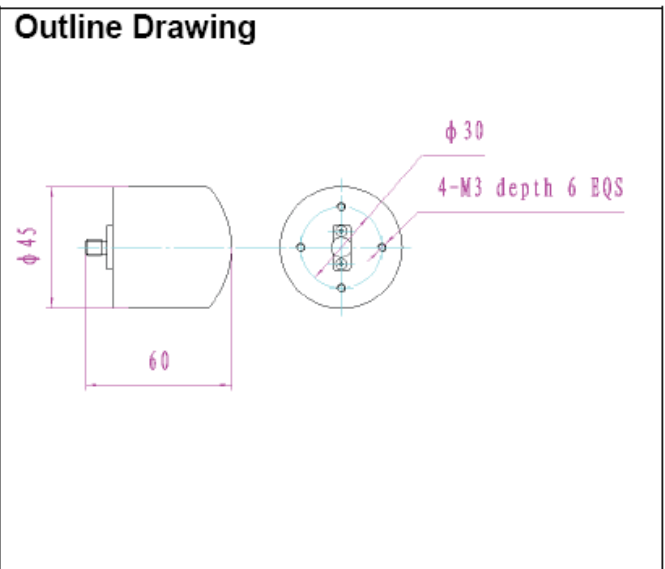
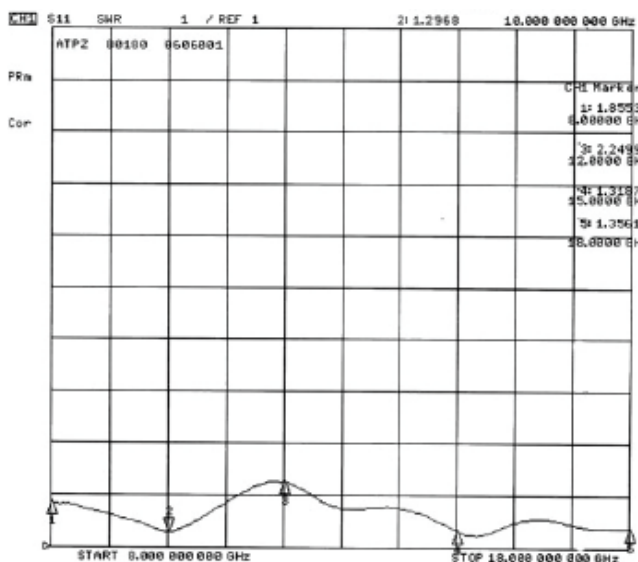
**8000~18000MHz**

**P/N: ODC-8001800/P**

## Technical Specification

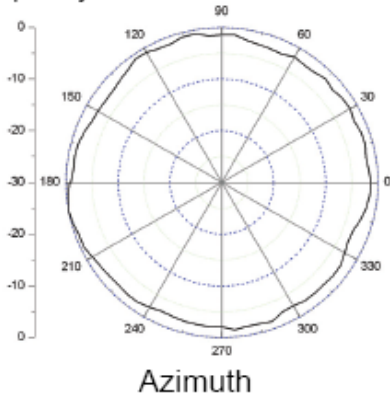
Frequency (MHz)	8000-18000
Polarization	Vertical
VSWR(Typ.)	2.5
Connetor	SMA-Female
Size(mm)	Φ45 × 60

### VSWR

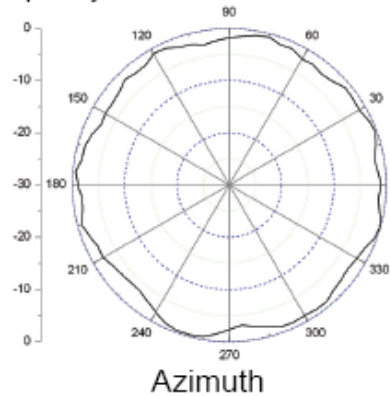


### Pattern

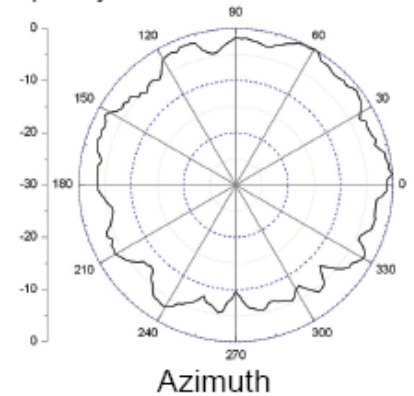
Frequency: 8GHz



Frequency: 13GHz



Frequency: 18GHz

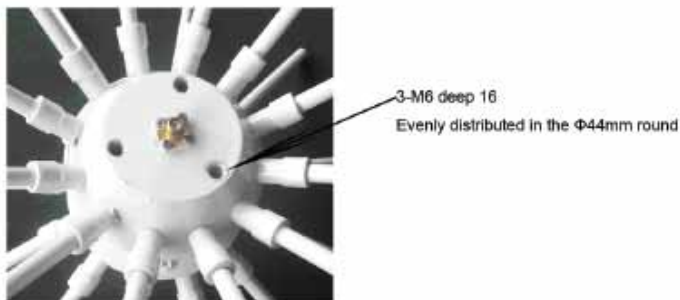


**50~3000MHz**

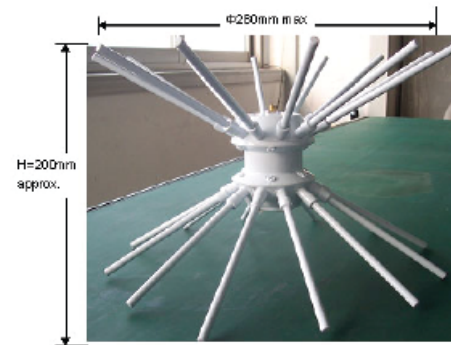
**P/N: ODC-50300/P**

Frequency (MHz)	500-3000
Polarization	Vertical
Gain(Typ.)(dB)	0
VSWR(Typ.)	2.0
Connetor	SMA-Female/N-Female
Power CW(W)	100
Size(mm)	Φ280 × 200 approx.

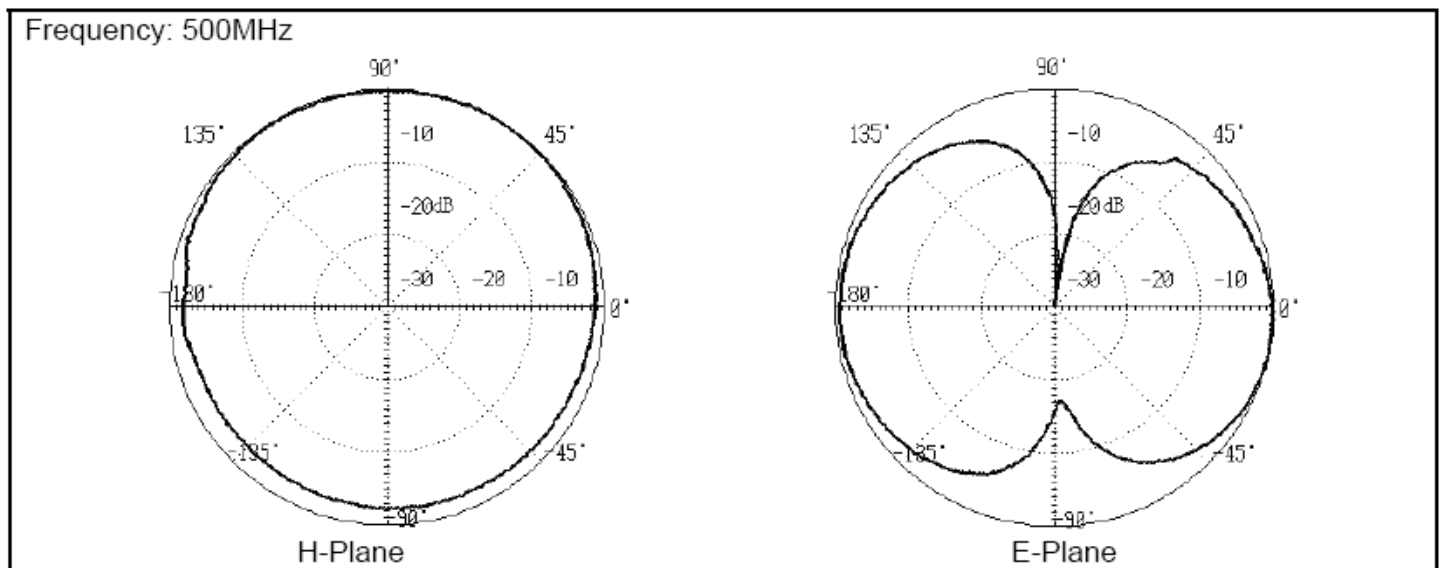
## Mounting Drawing



## Outline Drawing

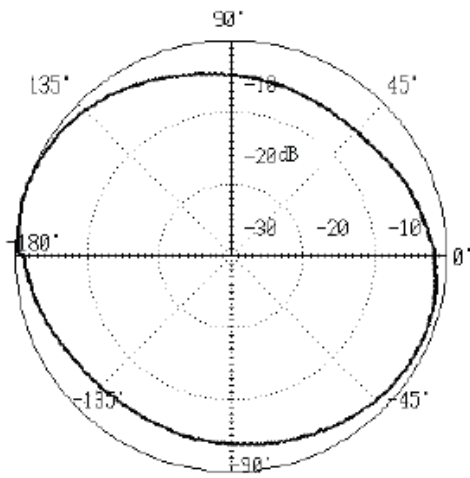


## Pattern

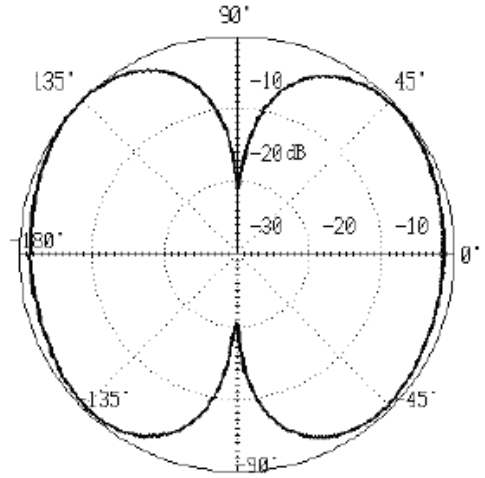




Frequency: 1000MHz

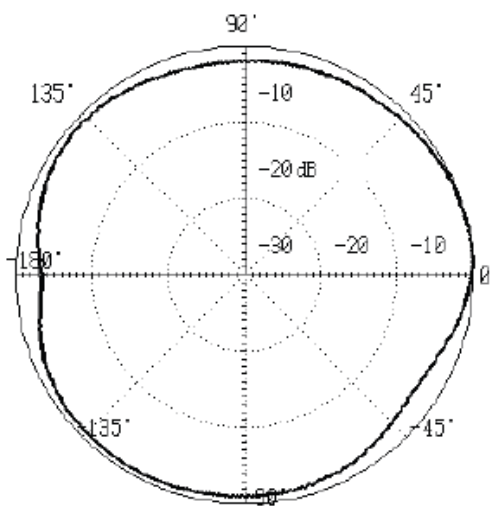


H-Plane

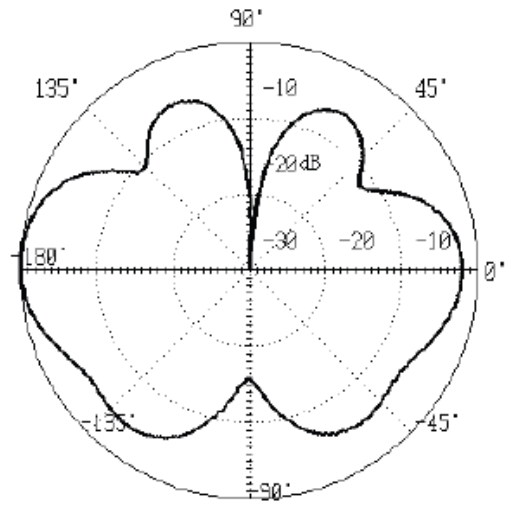


E-Plane

Frequency: 1500MHz

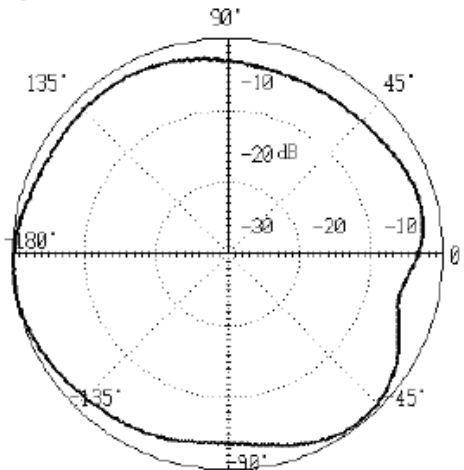


H-Plane

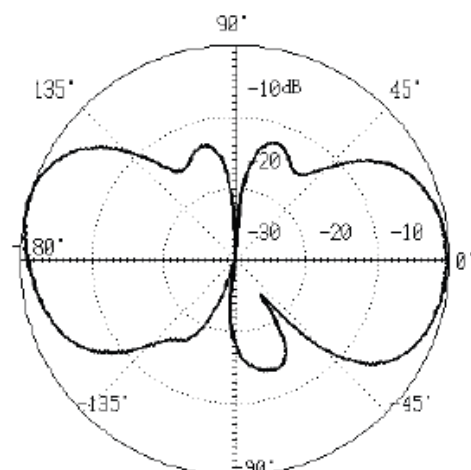


E-Plane

Frequency: 2000MHz



H-Plane



E-Plane

