



### Narrowband Band Pass Filter ( $\leq 10\%$ ) 10.7 to 400MHz

P/N	Center Freq. (MHz)	I.L. at Center Freq. (dB) Max	Stop Band I.L.>35dB (MHz)	Case
JXWBLB-S-BP-10.7	10.7	6.0	9.3 & 12.3	S5
JXWBLB-S-BP-30	30	5.0	26 & 34.5	S5
JXWBLB-S-BP-70	70	5.0	61 & 80.5	S5
JXWBLB-S-BP-100	100	5.0	87 & 115	S5
JXWBLB-S-BP-160	160	5.0	139 & 184	S5
JXWBLB-S-BP-200	200	6.0	174 & 230	S5
JXWBLB-S-BP-400	400	6.0	345 & 460	S5

### Wideband Band Pass Filter 6 to 1000MHz

P/N	Freq. Range (MHz)	I.L. at Pass Band (dB) Max	Stop Band I.L.>40dB (MHz)	VSWR Typ	Case
JXWBLB-S-BP-6-11	6-11	2.0	5 & 13	1.7	S5
JXWBLB-S-BP-7.5-15	7.5-15	2.0	6.3 & 18	1.7	S5
JXWBLB-S-BP-12-24	12-24	1.8	10 & 29	1.6	S5
JXWBLB-S-BP-20-40	20-40	1.8	16.5 & 48	1.6	S5
JXWBLB-S-BP-30-60	30-60	1.8	25 & 72	1.6	S5
JXWBLB-S-BP-40-80	40-80	1.8	33.5 & 96	1.6	S5
JXWBLB-S-BP-60-120	60-120	1.8	50 & 144	1.6	S5
JXWBLB-S-BP-90-180	90-180	2.0	75 & 215	1.7	S5
JXWBLB-S-BP-120-240	120-240	2.0	100 & 288	1.7	S5
JXWBLB-S-BP-200-400	200-400	2.0	167 & 480	1.7	S5
JXWBLB-S-BP-300-600	300-600	2.0	250 & 720	2.0	S5
JXWBLB-S-BP-500-1000	500-1000	2.5	420@35dB & 1200@35dB	2.0	S5



### Band Pass Filter (1) 10.7 to 600MHz

P/N	Center Freq.	I.L. at	3dB Bandwidth	Stop Band	VSWR	Case
	(MHz)	Center Freq. (dB) Max	(MHz) f1-f2	I.L.>40dB (MHz)	Typ	
JXWBLB-S-BP-9.7-11.7	10.7	2.0	9.7-11.7	8 & 14	1.5	S5
JXWBLB-S-BP-19.2-23.6	21.4	2.0	19.2-23.6	16.5&27	1.5	S5
JXWBLB-S-BP-26-34	30	2.0	26-34	23 & 39	1.5	S5
JXWBLB-S-BP-36-44	40	2.0	36-44	31 & 50	1.5	S5
JXWBLB-S-BP-53-67	60	2.0	53-67	46 & 77	1.5	S5
JXWBLB-S-BP-63-77	70	2.0	63-77	55 & 87	1.5	S5
JXWBLB-S-BP-90-110-1	100	2.0	90-110	77 & 127	1.5	S5
JXWBLB-S-BP-144-176-1	160	2.0	144-176	125 & 202	1.5	S5
JXWBLB-S-BP-360-440	400	2.0	360-440	315 & 505	1.5	S5
JXWBLB-S-BP-540-660	600	2.0	540-660	470 & 750	1.5	S5

### Band Pass Filter (2) 10.7 to 1000MHz

P/N	Center Freq. (MHz)	Pass Band	Pass Band	Stop Band	Stop Band	VSWR	Case
		Loss ≤ 1.5dB (MHz)	Loss<3dB (MHz)	I.L. ≥ 25dB (MHz)	I.L. ≥ 35dB (MHz)	Typ	
JXWBLB-S-BP-8.9-12.9	10.7	9.7-11.7	8.9-12.9	7 & 15	7 & 16	1.7	S5
JXWBLB-S-BP-17.0-25.3	21.4	19.2-23.6	17.0-25.3	15.5 & 29	14 & 32	1.7	S5
JXWBLB-S-BP-25-35	30	27-33	25-35	22 & 40	20 & 44	1.7	S5
JXWBLB-S-BP-49.8-70.5	60	55-67	49.8-70.5	44 & 79	41 & 90	1.7	S5
JXWBLB-S-BP-58-82	70	63-77	58-82	51 & 94	47 & 103	1.7	S5
JXWBLB-S-BP-90-110-2	100	90-110	-	72 & 137	67 & 148	1.7	S5
JXWBLB-S-BP-144-176-2	160	144-176	-	115 & 220	107 & 237	1.7	S5
JXWBLB-S-BP-270-330	300	270-330	-	216 & 412	200 & 440	1.7	S5
JXWBLB-S-BP-450-550	500	450-550	-	360 & 687	267 & 742	1.7	S5
JXWBLB-S-BP-900-1100	1000	900-1100	-	720 & 1370	667 & 1480	1.7	S5

## Filters



*Surface Mount*

### Low Pass Filter DC to 1000MHz

P/N	Pass Band	Stop Band	VSWR	Case
	Loss $\leq$ 1.0dB (MHz)	Loss > 40dB (MHz)	Typ	
JXWBLB-S-LP-0-5	DC-5	7.5-200	1.7	S5
JXWBLB-S-LP-0-11	DC-11	16.5-200	1.7	S5
JXWBLB-S-LP-0-22	DC-22	33-200	1.7	S5
JXWBLB-S-LP-0-30	DC-30	45-400	1.7	S5
JXWBLB-S-LP-0-50	DC-50	75-400	1.7	S5
JXWBLB-S-LP-0-70	DC-70	105-400	1.7	S5
JXWBLB-S-LP-0-90	DC-90	135-600	1.7	S5
JXWBLB-S-LP-0-100	DC-100	150-600	1.7	S5
JXWBLB-S-LP-0-150	DC-150	225-800	1.7	S5
JXWBLB-S-LP-0-200	DC-200	300-1000	1.7	S5
JXWBLB-S-LP-0-250	DC-250	375-1200	1.7	S5
JXWBLB-S-LP-0-300	DC-300	450-1200	1.7	S5
JXWBLB-S-LP-0-450	DC-450	675-1800	1.7	S5
JXWBLB-S-LP-0-600	DC-600	900-2000	1.7	S5
JXWBLB-S-LP-0-750	DC-750	1120-2000	1.7	S5
JXWBLB-S-LP-0-850	DC-850	1250-2000	1.7	S5
JXWBLB-S-LP-0-1000	DC-1000	1500-2500	1.9	S5

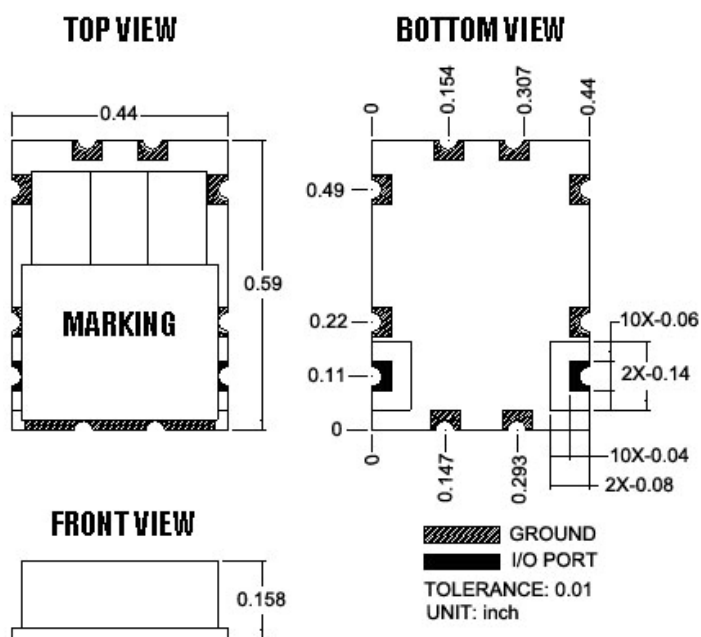
### High Pass Filter 25 to 2200MHz

P/N	Pass Band	Stop Band	VSWR	Case
	Loss $\leq$ 1.0dB (MHz)	Loss > 40dB (MHz)	Typ	
JXWBLB-S-HP-25-200	25-200	DC-16	1.8	S5
JXWBLB-S-HP-50-300	50-300	DC-33	1.5	S5
JXWBLB-S-HP-100-400	100-400	DC-67	1.5	S5
JXWBLB-S-HP-150-600	150-600	DC-100	1.8	S5
JXWBLB-S-HP-175-800	175-800	DC-115	1.5	S5
JXWBLB-S-HP-200-800	200-800	DC-133	1.6	S5
JXWBLB-S-HP-250-1200	250-1200	DC-160	1.8	S5
JXWBLB-S-HP-300-1200	300-1200	DC-200	1.7	S5
JXWBLB-S-HP-400-1600	400-1600	DC-265	1.7	S5
JXWBLB-S-HP-500-1600	500-1600	DC-330	1.8	S5
JXWBLB-S-HP-600-1800	600-1800	DC-400	2.0	S5
JXWBLB-S-HP-700-1800	700-1800	DC-465	2.0	S5
JXWBLB-S-HP-800-1800	800-1800	DC-530	2.0	S5
JXWBLB-S-HP-900-2100	900-2100	DC-600	1.8	S5
JXWBLB-S-HP-1000-2200	1000-2200	DC-665	1.9	S5

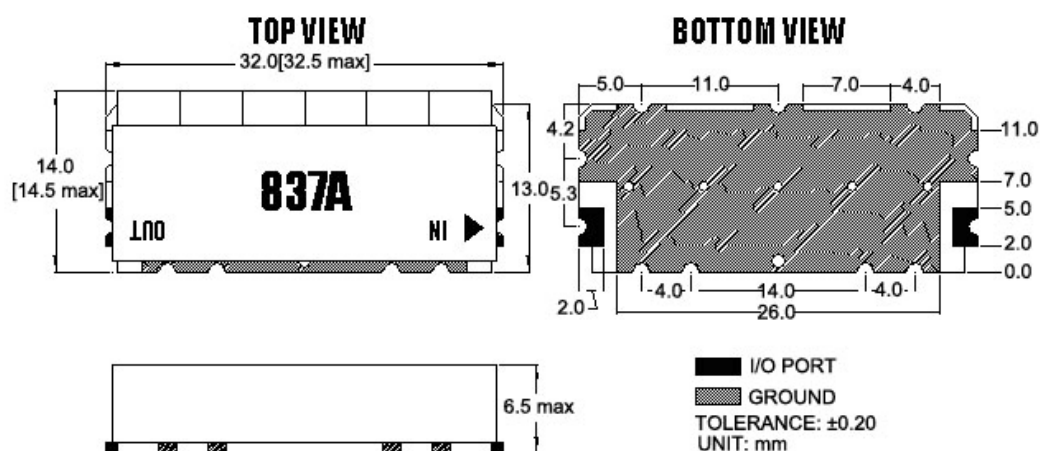
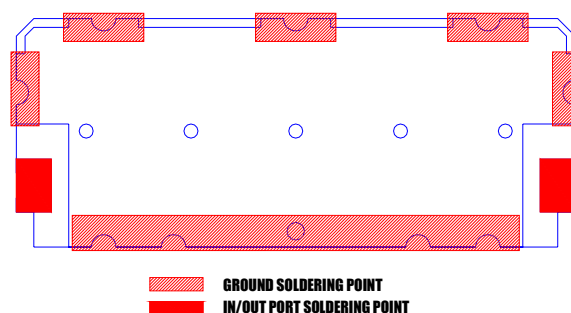
Continued

P/N: JXWBLB-S-BP-1732.5-22.5-CE-3

Center Frequency[f <sub>0</sub> ](MHz)	1732.5
Bandwidth(MHz)	f <sub>0</sub> ±22.5
Insertion Loss in Bandwidth(dB)	2.0 max
Ripple in Bandwidth(dB)	0.8 max
Return Loss in Bandwidth(dB)	15.0 min
Impedance(Ohm)	50
Attenuation	26@1605
[Absolute Value](dB min @MHz)	22@1860
Input Power(W)	1 max
Operating Temperature(°C)	-40 ~ +85



Center Frequency[f <sub>0</sub> ](MHz)	837.5
Bandwidth(MHz)	f <sub>0</sub> ±17.5
Insertion Loss in Bandwidth(dB)	3.0 max
Ripple in Bandwidth(dB)	1.0 max
VSWR	1.5 max
Impedance(Ohm)	50
Attenuation [Relative Value](dBc min@MHz)	80@525
	55@700
	65@1350
Operating Temperature(°C)	-40 ~ +85



## Filters



A1

*Plug-in*

*Narrowband Band Pass Filter (≤10%) 10.7 to 400MHz*

P/N	Center Freq. (MHz)	I.L. at Center Freq. (dB) Max	Stop Band I.L.>35dB (MHz)	Case
JXWBLB-A-BP-10.7	10.7	6.0	9.3 & 12.3	A1
JXWBLB-A-BP-30	30	5.0	26 & 34.5	A1
JXWBLB-A-BP-70	70	5.0	61 & 80.5	A1
JXWBLB-A-BP-100	100	5.0	87 & 115	A1
JXWBLB-A-BP-160	160	5.0	139 & 184	A1
JXWBLB-A-BP-200	200	6.0	174 & 230	A1
JXWBLB-A-BP-400	400	6.0	345 & 460	A1

*Wideband Band Pass Filter 6 to 1000MHz*

P/N	Freq. Range (MHz)	I.L. at Pass Band (dB) Max	Stop Band I.L.>40dB (MHz)	VSWR Typ	Case
JXWBLB-A-BP-6-11	6-11	2.0	5 & 13	1.7	A1
JXWBLB-A-BP-7.5-15	7.5-15	2.0	6.3 & 18	1.7	A1
JXWBLB-A-BP-12-24	12-24	1.8	10 & 29	1.6	A1
JXWBLB-A-BP-20-40	20-40	1.8	16.5 & 48	1.6	A1
JXWBLB-A-BP-30-60	30-60	1.8	25 & 72	1.6	A1
JXWBLB-A-BP-40-80	40-80	1.8	33.5 & 96	1.6	A1
JXWBLB-A-BP-60-120	60-120	1.8	50 & 144	1.6	A1
JXWBLB-A-BP-90-180	90-180	2.0	75 & 215	1.7	A1
JXWBLB-A-BP-120-240	120-240	2.0	100 & 288	1.7	A1
JXWBLB-A-BP-200-400	200-400	2.0	167 & 480	1.7	A1
JXWBLB-A-BP-300-600	300-600	2.0	250 & 720	2.0	A1
JXWBLB-A-BP-500-1000	500-1000	2.5	420@35dB & 1200@35dB	2.0	A1



A1

### Band Pass Filter (1) 10.7 to 600MHz

P/N	Center Freq.	I.L. at	3dB Bandwidth	Stop Band	VSWR	Case
	(MHz)	Center Freq. (dB) Max	(MHz) f1-f2	I.L.>40dB (MHz)	Typ	
JXWBLB-A-BP-9.7-11.7	10.7	2.0	9.7-11.7	8 & 14	1.5	A1
JXWBLB-A-BP-19.2-23.6	21.4	2.0	19.2-23.6	16.5 & 27	1.5	A1
JXWBLB-A-BP-26-34	30	2.0	26-34	23 & 39	1.5	A1
JXWBLB-A-BP-36-44	40	2.0	36-44	31 & 50	1.5	A1
JXWBLB-A-BP-53-67	60	2.0	53-67	46 & 77	1.5	A1
JXWBLB-A-BP-63-77	70	2.0	63-77	55 & 87	1.5	A1
JXWBLB-A-BP-90-110-1	100	2.0	90-110	77 & 127	1.5	A1
JXWBLB-A-BP-144-176-1	160	2.0	144-176	125 & 202	1.5	A1
JXWBLB-A-BP-360-440	400	2.0	360-440	315 & 505	1.5	A1
JXWBLB-A-BP-540-660	600	2.0	540-660	470 & 750	1.5	A1

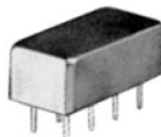
### Band Pass Filter (2) 10.7 to 1000MHz

P/N	Center Freq. (MHz)	Pass Band	Pass Band	Stop Band	Stop Band	VSWR Typ	Case
		Loss ≤ 1.5dB (MHz)	Loss < 3dB (MHz)	I.L. ≥ 25dB (MHz)	I.L. ≥ 35dB (MHz)		
JXWBLB-A-BP-8.9-12.9	10.7	9.7-11.7	8.9-12.9	7 & 15	7 & 16	1.7	A1
JXWBLB-A-BP-17.0-25.3	21.4	19.2-23.6	17.0-25.3	15.5 & 29	14 & 32	1.7	A1
JXWBLB-A-BP-25-35	30	27-33	25-35	22 & 40	20 & 44	1.7	A1
JXWBLB-A-BP-49.8-70.5	60	55-67	49.8-70.5	44 & 79	41 & 90	1.7	A1
JXWBLB-A-BP-58-82	70	63-77	58-82	51 & 94	47 & 103	1.7	A1
JXWBLB-A-BP-90-110-2	100	90-110	-	72 & 137	67 & 148	1.7	A1
JXWBLB-A-BP-144-176-2	160	144-176	-	115 & 220	107 & 237	1.7	A1
JXWBLB-A-BP-270-330	300	270-330	-	216 & 412	200 & 440	1.7	A1
JXWBLB-A-BP-450-550	500	450-550	-	360 & 687	267 & 742	1.7	A1
JXWBLB-A-BP-900-1100	1000	900-1100	-	720 & 1370	667 & 1480	1.7	A1

## Filters



A1



A2

Plug-in

### Low Pass Filter DC to 1000MHz

P/N	Pass Band	Stop Band	VSWR	Case
	Loss ≤ 1.0dB (MHz)	Loss >40dB (MHz)	Typ	
JXWBLB-A-LP-0-5	DC-5	7.5-200	1.7	A1
JXWBLB-A-LP-0-11	DC-11	16.5-200	1.7	A1
JXWBLB-A-LP-0-22	DC-22	33-200	1.7	A1
JXWBLB-A-LP-0-30	DC-30	45-400	1.7	A1
JXWBLB-A-LP-0-50	DC-50	75-400	1.7	A1
JXWBLB-A-LP-0-70	DC-70	105-400	1.7	A1
JXWBLB-A-LP-0-90	DC-90	135-600	1.7	A1
JXWBLB-A-LP-0-100	DC-100	150-600	1.7	A1
JXWBLB-A-LP-0-150	DC-150	225-800	1.7	A1
JXWBLB-A-LP-0-200	DC-200	300-1000	1.7	A1
JXWBLB-A-LP-0-250	DC-250	375-1200	1.7	A1
JXWBLB-A-LP-0-300	DC-300	450-1200	1.7	A1
JXWBLB-A-LP-0-450	DC-450	675-1800	1.7	A1
JXWBLB-A-LP-0-600	DC-600	900-2000	1.7	A1
JXWBLB-A-LP-0-750	DC-750	1120-2000	1.7	A1
JXWBLB-A-LP-0-850	DC-850	1250-2000	1.7	A1
JXWBLB-A-LP-0-1000	DC-1000	1500-2500	1.9	A1

### High Pass Filter 25 to 2200MHz

P/N	Pass Band	Stop Band	VSWR	Case
	Loss ≤ 1.0dB (MHz)	Loss >40dB (MHz)	Typ	
JXWBLB-A-HP-25-200	25-200	DC-16	1.8	A1
JXWBLB-A-HP-50-300	50-300	DC-33	1.5	A1
JXWBLB-A-HP-100-400	100-400	DC-67	1.5	A1
JXWBLB-A-HP-150-600	150-600	DC-100	1.8	A1
JXWBLB-A-HP-175-800	175-800	DC-115	1.5	A1
JXWBLB-A-HP-200-800	200-800	DC-133	1.6	A1
JXWBLB-A-HP-250-1200	250-1200	DC-160	1.8	A1
JXWBLB-A-HP-300-1200	300-1200	DC-200	1.7	A1
JXWBLB-A-HP-400-1600	400-1600	DC-265	1.7	A1
JXWBLB-A-HP-500-1600	500-1600	DC-330	1.8	A1
JXWBLB-A-HP-600-1800	600-1800	DC-400	2.0	A1
JXWBLB-A-HP-700-1800	700-1800	DC-465	2.0	A2,A1
JXWBLB-A-HP-800-1800	800-1800	DC-530	2.0	A2,A1
JXWBLB-A-HP-900-2100	900-2100	DC-600	1.8	A2,A1
JXWBLB-A-HP-1000-2200	1000-2200	DC-665	1.9	A2,A1





*Band Pass Filter 10.7 to 1000MHz*

P/N	Center Freq.	Pass Band	Pass Band	Stop Band	Stop Band	VSWR	Case
	(MHz)	Loss ≤ 1.5dB (MHz)	Loss < 3dB (MHz)	I.L. ≥ 25dB (MHz)	I.L. ≥ 35dB (MHz)	Typ	
JXWBLB-T-BP-8.9-12.9	10.7	9.7-11.7	8.9-12.9	7 & 15	7 & 16	1.7	T0
JXWBLB-T-BP-17.0-25.3	21.4	19.2-23.6	17.0-25.3	15.5 & 29	14 & 32	1.7	T0
JXWBLB-T-BP-25-35	30	27-33	25-35	22 & 40	20 & 44	1.7	T0
JXWBLB-T-BP-49.8-70.5	60	55-67	49.8-70.5	44 & 79	41 & 90	1.7	T0
JXWBLB-T-BP-58-82	70	63-77	58-82	51 & 94	47 & 103	1.7	T0
JXWBLB-T-BP-90-110	100	90-110	-	72 & 137	67 & 148	1.7	T0
JXWBLB-T-BP-144-176	160	144-176	-	115 & 220	107 & 237	1.7	T0
JXWBLB-T-BP-270-330	300	270-330	-	216 & 412	200 & 440	1.7	T0
JXWBLB-T-BP-450-550	500	450-550	-	360 & 687	267 & 742	1.7	T0
JXWBLB-T-BP-900-1100	1000	900-1100	-	720 & 1370	667 & 1480	1.7	T0



### LC Band Pass Filter 13 to 5055MHz

P/N	-1dB Pass Band (MHz)	I.L. at Center Freq. (dB) Max	Stop Band 1 (dB Min@MHz)	Stop Band 2 (dB Min@MHz)	VSWR Typ	Connector	Size L x W x H (mm)
JXWBLB-T-BP-13-23-L	13-23	1.5	-	60@36	1.5	SMA Female	40.4x12.0x10.0
JXWBLB-T-BP-19-31-L	19-31	0.8	45@15	45@30	1.5	SMA Female	40.4x12.0x10.0
JXWBLB-T-BP-28.5-31.5-L	28.5-31.5	1.5	75@20	75@40	1.5	SMA Female	30.0x12.0x10.0
JXWBLB-T-BP-40-60-L	40-60	1.0	65@25	75@70	1.5	SMA Female	40.4x12.0x10.0
JXWBLB-T-BP-50-70-L	50-70	1.5	60@30	75@90	1.5	SMA Female	40.4x12.0x10.0
JXWBLB-T-BP-30-130-L	30-130	0.5	-	40@150	1.5	SMA Female	50.9x9.5x9.5
JXWBLB-T-BP-80-100-L	80-100	1.8	80@50	80@130	1.5	SMA Female	40.4x9.5x9.5
JXWBLB-T-BP-95-145-L	95-145	1.0	45@75	70@200	1.5	SMA Female	40.4x12.0x10.0
JXWBLB-T-BP-105-145-L	105-145	1.5	50@80	50@170	1.5	SMA Female	50.9x9.5x9.5
JXWBLB-T-BP-128-212-L	128-212	1.0	80@64	65@276	1.5	SMA Female	40.4x12.0x10.0
JXWBLB-T-BP-150-200-L	150-200	1.2	70@100	40@225	1.5	SMA Female	40.4x12.0x10.0
JXWBLB-T-BP-180-200-L	180-200	2.3	25@170	25@210	1.5	SMA Female	40.4x12.0x10.0
JXWBLB-T-BP-150-250-L	150-250	1.1	40@125	50@300	1.5	SMA Female	27.2x12.6x6.7
JXWBLB-T-BP-200-220-L	200-220	2.3	25@190	25@230	1.5	SMA Female	40.4x12.0x10.0
JXWBLB-T-BP-195-245-L	195-245	1.2	85@20	70@440	1.5	SMA Female	27.2x12.6x6.7
JXWBLB-T-BP-215-245-L	215-245	2.2	15@210	15@250	1.5	SMA Female	30.0x12.0x10.0
JXWBLB-T-BP-227-253-L	227-253	1.8	75@160	85@320	1.5	SMA Female	30.0x12.0x10.0
JXWBLB-T-BP-240-260-L	240-260	1.8	58@200	55@300	1.5	SMA Female	40.4x12.0x10.0
JXWBLB-T-BP-200-300-L	210-290	1.0	60@150	85@400	1.5	SMA Female	40.4x12.0x10.0
JXWBLB-T-BP-200-360-L	200-360	1.2	40@150	60@410	1.5	SMA Female	40.4x12.0x10.0
JXWBLB-T-BP-185-415-L	185-415	0.6	50@100	60@500	1.5	SMA Female	50.9x9.5x9.5
JXWBLB-T-BP-250-400-L	250-400	0.9	65@200	65@500	1.5	SMA Female	40.4x12.0x10.0
JXWBLB-T-BP-258-442-L	258-442	1.1	90@100	90@600	1.5	SMA Female	50.9x9.5x9.5
JXWBLB-T-BP-300-450-L	300-450	1.1	60@225	60@600	1.5	SMA Female	40.4x12.0x10.0
JXWBLB-T-BP-360-440-L	360-440	2.5	40@300	40@500	1.5	SMA Female	50.9x9.5x9.5
JXWBLB-T-BP-320-540-L	320-540	1.2	28@270	28@585	1.5	SMA Female	40.4x12.0x10.0
JXWBLB-T-BP-350-530-L	350-530	0.8	65@250	80@700	1.5	SMA Female	50.9x9.5x9.5
JXWBLB-T-BP-350-550-L	350-550	1.0	80@200	80@700	1.5	SMA Female	40.4x12.0x10.0
JXWBLB-T-BP-400-520-L	400-520	1.2	60@200	80@800	1.5	SMA Female	40.4x9.5x9.5
JXWBLB-T-BP-480-520-L	480-520	1.8	65@400	65@600	1.5	SMA Female	30.0x12.0x10.0
JXWBLB-T-BP-390-610-L	390-610	1.0	65@280	70@720	1.5	SMA Female	50.9x9.5x9.5
JXWBLB-T-BP-350-650-L	350-650	1.0	65@200	90@800	1.5	SMA Female	50.9x9.5x9.5
JXWBLB-T-BP-400-700-L	400-700	0.9	45@350	45@800	1.5	SMA Female	40.4x12.0x10.0
JXWBLB-T-BP-585-615-L	585-615	2.9	45@550	45@650	1.5	SMA-Female	30.0x12.0x10.0
JXWBLB-T-BP-450-750-L	450-750	0.8	65@260	65@930	1.5	SMA Female	50.9x9.5x9.5
JXWBLB-T-BP-605-685-L	605-685	2.8	20@580	33@720	1.5	SMA Female	40.4x12.0x10.0
JXWBLB-T-BP-672.5-727.5-L	672.5-727.5	1.7	53@600	53@800	1.5	SMA Female	30.0x12.0x10.0



### LC Band Pass Filter 13 to 5055MHz

Continued

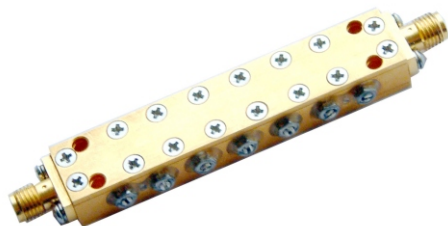
P/N	1dB Pass Band (MHz)	I.L. at Center Freq. (dB) Max	Stop Band 1 (dB Min@MHz)	Stop Band 2 (dB Min@MHz)	VSWR Typ	Connector	Size L x W x H (mm)
JXWBLB-T-BP-550-950-L	550-950	0.6	50@300	50@1200	1.5	SMA Female	40.4x12.0x10.0
JXWBLB-T-BP-500-1000-L	500-1000	0.8	50@400	50@1100	1.5	SMA Female	40.4x12.0x10.0
JXWBLB-T-BP-740-800-L	740-800	2.8	50@695	50@845	1.5	SMA Female	40.4x12.0x10.0
JXWBLB-T-BP-750-850-L	750-850	2.3	45@700	75@1000	1.5	SMA Female	40.4x9.5x9.5
JXWBLB-T-BP-769-926-L	769-926	1.1	65@500	65@1500	1.5	SMA Female	30.0x12.0x10.0
JXWBLB-T-BP-828-912-L	828-912	1.8	50@740	50@1000	1.5	SMA Female	40.4x12.0x10.0
JXWBLB-T-BP-850-950-L	850-950	2.2	45@800	44@1000	1.5	SMA Female	40.4x9.5x9.5
JXWBLB-T-BP-650-1150-L	650-1150	1.0	75@460	50@1330	1.5	SMA Female	50.9x9.5x9.5
JXWBLB-T-BP-900-960-L	900-960	3.0	50@855	50@1005	1.5	SMA Female	40.4x12.0x10.0
JXWBLB-T-BP-940-1000-L	940-1000	3.2	55@895	55@1045	1.5	SMA Female	40.4x12.0x10.0
JXWBLB-T-BP-985-1015-L	985-1015	3.0	65@900	65@1100	1.5	SMA Female	40.4x12.0x10.0
JXWBLB-T-BP-1000-1160-L	1000-1160	1.0	60@680	75@1480	1.5	SMA Female	40.4x12.0x10.0
JXWBLB-T-BP-950-1450-L	950-1450	0.8	40@700	40@1700	1.5	SMA Female	40.4x12.0x10.0
JXWBLB-T-BP-1200-1400-L	1200-1400	1.5	60@1000	60@1600	1.5	SMA Female	40.4x12.0x10.0
JXWBLB-T-BP-1100-1500-L	1100-1500	1.0	-	40@1700	1.5	SMA Female	40.4x12.0x10.0
JXWBLB-T-BP-1200-1500-L	1200-1500	1.8	50@800	50@1830	1.5	SMA Female	40.4x12.0x10.0
JXWBLB-T-BP-1241-1558-L	1241-1558	1.0	35@1100	-	1.5	SMA Female	40.4x12.0x10.0
JXWBLB-T-BP-1000-2000-L	1000-2000	0.7	60@600	50@2400	1.5	SMA Female	40.4x12.0x10.0
JXWBLB-T-BP-1460-1660-L	1460-1660	2.0	80@1230	80@1890	1.5	SMA Female	50.9x9.5x9.5
JXWBLB-T-BP-1440-1960-L	1440-1960	1.3	-	60@2220	1.5	SMA Female	40.4x12.0x10.0
JXWBLB-T-BP-1690-1890-L	1690-1890	1.3	80@945	70@1200	1.5	SMA Female	40.4x12.0x10.0
JXWBLB-T-BP-2000-2200-L	2000-2200	1.8	75@1700	75@2500	1.5	SMA Female	50.9x9.5x9.5
JXWBLB-T-BP-2000-2400-L	2000-2400	1.5	40@1850	40@2550	1.5	SMA Female	40.4x12.0x10.0
JXWBLB-T-BP-2100-2500-L	2100-2500	1.9	60@1865	60@2735	1.5	SMA Female	40.4x12.0x10.0
JXWBLB-T-BP-2400-2600-L	2400-2600	3.0	80@2100	80@2900	1.5	SMA Female	50.9x9.5x9.5
JXWBLB-T-BP-2700-2900-L	2700-2900	3.2	35@2600	35@3000	1.5	SMA Female	50.9x9.5x9.5
JXWBLB-T-BP-2850-3150-L	2850-3150	3.0	70@2500	70@3500	1.5	SMA Female	50.9x9.5x9.5
JXWBLB-T-BP-3200-3400-L	3200-3400	2.8	70@2900	70@3700	1.5	SMA Female	50.9x9.5x9.5
JXWBLB-T-BP-2998-4012-L	2998-4012	1.0	50@2500	70@5000	1.5	SMA Female	50.9x9.5x9.5
JXWBLB-T-BP-3755-4435-L	3755-4435	2.6	80@2200	80@5000	1.5	SMA Female	50.9x9.5x9.5
JXWBLB-T-BP-4850-5000-L	4850-5000	5.0	40@4700	40@5150	1.5	SMA Female	40.4x12.0x10.0
JXWBLB-T-BP-4945-5055-L	4945-5055	6.0	80@4700	80@5300	1.5	SMA Female	50.9x9.5x9.5



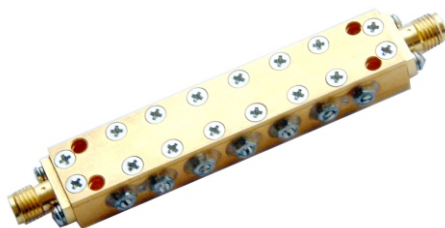
P/N	1dB Cut Off (MHz)	Stop Band (dB Min@MHz)	VSWR Typ	Connector	Size L x W x H (mm)
JXWBLB-T-LP-0-63-L	DC-63	80@80	1.5	SMA Female	40.4x12.0x10.0
JXWBLB-T-LP-0-80-L	DC-80	60@100	1.5	SMA Female	30.0x12.0x10.0
JXWBLB-T-LP-0-150-L	DC-150	80@225	1.5	SMA Female	40.4x12.0x10.0
JXWBLB-T-LP-0-180-L	DC-180	40@200	1.5	SMA Female	40.4x12.0x10.0
JXWBLB-T-LP-0-525-L	DC-525	75@700	1.5	SMA Female	50.9x9.5x9.5
JXWBLB-T-LP-0-800-L	DC-800	40@1000	1.5	SMA Female	40.4x12.0x10.0
JXWBLB-T-LP-0-870-L	DC-870	65@1650	1.5	SMA Female	40.4x12.0x10.0
JXWBLB-T-LP-0-1000-L	DC-1000	60@1400	1.5	SMA Female	30.0x12.0x10.0
JXWBLB-T-LP-0-1400-L	DC-1400	35@1600	1.5	SMA Female	40.4x12.0x10.0
JXWBLB-T-LP-0-1790-L	DC-1790	55@2100	1.5	SMA Female	50.9x9.5x9.5
JXWBLB-T-LP-0-2000-L	DC-2000	65@2800	1.5	SMA Female	40.4x12.0x10.0

### Notes:

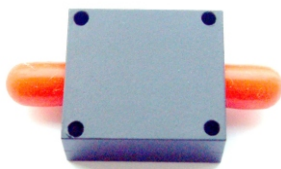
1. Operating Temperature : -40 °C to +80 °C. Storage Temperature : -55 °C to +85 °C.
2. Customization is welcome, Please ask.



P/N	1dB Pass Band (MHz)	I.L. at Center Freq. (dB) Max	Stop Band 1 (dB Min@MHz)	Stop Band 2 (dB Min@MHz)	VSWR Typ	Connector	Size L x W x H (mm)
JXWBLB-T-BP-700-740-C	700-740	0.8	50@650	50@790	1.5	SMA Female	73x62x16
JXWBLB-T-BP-980-1020-C	980-1020	1.2	80@880	80@1120	1.5	SMA Female	100x47x15.5
JXWBLB-T-BP-1150-1250-C	1150-1250	1.0	45@1100	45@1300	1.5	SMA Female	80x38x12.5
JXWBLB-T-BP-1100-1300-C	1100-1300	0.5	50@950	70@1450	1.5	SMA Female	79x41x15.5
JXWBLB-T-BP-1050-1450-C	1050-1450	0.5	40@900	45@1600	1.5	SMA Female	70x39x13.5
JXWBLB-T-BP-1100-1500-C	1100-1500	0.7	20@1050	40@1600	1.5	SMA Female	106x38x15
JXWBLB-T-BP-1440-1460-C	1440-1460	1.6	70@1400	75@1350	1.5	SMA Female	109x35x19
JXWBLB-T-BP-1500-1900-C	1500-1900	0.7	20@1450	75@2100	1.5	SMA Female	85x32x13.5
JXWBLB-T-BP-1750-1850-C	1750-1850	1.0	40@1700	40@1900	1.5	SMA Female	97x30x13.5
JXWBLB-T-BP-1950-2050-C	1950-2050	1.8	60@1920	60@2080	1.5	SMA Female	133x28x12.5
JXWBLB-T-BP-1500-2500-C	1500-2500	0.8	45@1300	50@2700	1.5	SMA Female	79x34x11
JXWBLB-T-BP-2000-2200-C	2000-2200	0.5	50@1700	75@2600	1.5	SMA Female	52x26.5x11
JXWBLB-T-BP-2200-2300-C	2200-2300	1.0	45@2150	45@2350	1.5	SMA Female	85x26x12
JXWBLB-T-BP-1950-2650-C	1950-2650	0.7	38@1600	70@3000	1.5	SMA Female	82x24x12
JXWBLB-T-BP-2300-2500-C	2300-2500	0.5	-	40@2605	1.5	SMA Female	121x23x21
JXWBLB-T-BP-2460-2500-C	2460-2500	2.0	30@2440	30@2520	1.5	SMA Female	76x24x12.5
JXWBLB-T-BP-2400-2600-C	2400-2600	0.6	50@2100	70@3000	1.5	SMA Female	52x24x11
JXWBLB-T-BP-2000-3000-C	2000-3000	0.5	50@1750	60@3250	1.5	SMA Female	85x25x11
JXWBLB-T-BP-2400-2800-C	2400-2800	0.5	55@2200	60@3000	1.5	SMA Female	85x24x13.5
JXWBLB-T-BP-2600-2800-C	2600-2800	0.6	45@2300	70@3200	1.5	SMA Female	52x24x11
JXWBLB-T-BP-1960-3640-C	1960-3640	0.6	60@1000	68@4600	1.5	SMA Female	79x22x15
JXWBLB-T-BP-2860-3060-C	2860-3060	0.9	60@2720	65@3200	1.5	SMA Female	90x22x12
JXWBLB-T-BP-2790-3210-C	2790-3210	0.7	70@2400	70@3600	1.5	SMA Female	67x22x11.5
JXWBLB-T-BP-2000-4000-C	2000-4000	0.6	45@1500	45@4400	1.5	SMA Female	78x21.5x14.2
JXWBLB-T-BP-2700-3400-C	2700-3400	0.7	55@2550	50@3550	1.5	SMA Female	104x22x11
JXWBLB-T-BP-3000-3200-C	3000-3200	0.7	50@2700	70@3600	1.5	SMA Female	55x22x11
JXWBLB-T-BP-3100-3400-C	3100-3400	0.6	70@2770	70@3680	1.5	SMA Female	70x21x11.5
JXWBLB-T-BP-3200-3400-C	3200-3400	0.5	50@2900	65@3800	1.5	SMA Female	55x21x11
JXWBLB-T-BP-3300-3500-C	3300-3500	1.2	60@3200	65@3600	1.5	SMA Female	79x21x9.5
JXWBLB-T-BP-3400-3600-C	3400-3600	0.5	50@3100	65@4000	1.5	SMA Female	55x21x11
JXWBLB-T-BP-3000-4000-C	3000-4000	0.7	40@2800	40@4200	1.5	SMA Female	85x20x11.6
JXWBLB-T-BP-2600-4600-C	2600-4600	0.5	30@2300	30@4900	1.5	SMA Female	88x19x15
JXWBLB-T-BP-3600-3800-C	3600-3800	0.5	50@3300	65@4200	1.5	SMA Female	55x20x11
JXWBLB-T-BP-3400-4200-C	3400-4200	0.5	80@2100	80@5100	1.5	SMA Female	61x19x10.5
JXWBLB-T-BP-3800-4000-C	3800-4000	0.5	50@3500	65@4400	1.5	SMA Female	55x20x11
JXWBLB-T-BP-3500-4500-C	3500-4500	0.5	50@3200	75@5800	1.5	SMA Female	61x18x9.2
JXWBLB-T-BP-4000-4400-C	4000-4400	0.8	70@3450	50@4500	1.5	SMA Female	106x18x11
JXWBLB-BP-4000-4500-C	4000-4500	0.8	55@3800	55@4700	1.5	SMA Female	64x18x8.5



P/N	1dB	I.L. at	Stop Band 1	Stop Band 2	VSWR	Connector	Size
	Pass Band	Center Freq.			Typ		L x W x H
	(MHz)	(dB) Max	(dB Min@MHz)	(dB Min@MHz)			(mm)
JXWBLB-T-BP-4300-4400-C	4300-4400	1.5	45@4250	45@4450	1.5	SMA Female	82x18x10.5
JXWBLB-T-BP-4300-4500-C	4300-4500	1.2	38@4200	38@4600	1.5	SMA Female	64x18x9.5
JXWBLB-T-BP-4000-5000-C	4000-5000	0.5	48@3750	48@5250	1.5	SMA Female	79x18x12
JXWBLB-T-BP-3500-5500-C	3500-5500	0.4	60@2600	60@6200	1.5	SMA Female	58x15x10
JXWBLB-T-BP-4500-4600-C	4500-4600	2.4	60@4450	60@4650	1.5	SMA Female	91x18x10.5
JXWBLB-T-BP-4600-4700-C	4600-4700	2.2	55@4550	55@4750	1.5	SMA Female	91x18x10.5
JXWBLB-T-BP-4500-5000-C	4500-5000	1.0	55@4300	55@5200	1.5	SMA Female	64x18x8.5
JXWBLB-T-BP-4800-5200-C	4800-5200	1.0	75@4250	50@5300	1.5	SMA Female	106x18x11
JXWBLB-T-BP-4000-6000-C	4000-6000	0.6	38@3300	40@6700	1.5	SMA Female	55x16x10
JXWBLB-T-BP-4800-5800-C	4800-5800	0.5	50@4300	60@6300	1.5	SMA Female	61x17x10.5
JXWBLB-T-BP-5000-6000-C	5000-6000	0.8	65@4500	75@6500	1.5	SMA Female	79x16x11
JXWBLB-T-BP-4900-6300-C	4900-6300	0.4	60@4000	75@7200	1.5	SMA Female	52x16x10.6
JXWBLB-T-BP-5600-5800-C	5600-5800	1.5	30@5550	35@5850	1.5	SMA Female	76x16x9.5
JXWBLB-T-BP-5600-6000-C	5600-6000	0.9	80@5050	60@6150	1.5	SMA Female	106x18x11
JXWBLB-T-BP-5500-6500-C	5500-6500	0.4	50@4500	65@7500	1.5	SMA Female	49x16x10.5
JXWBLB-T-BP-6900-7100-C	6900-7100	1.5	70@6500	75@7500	1.5	SMA Female	64x15x10.5
JXWBLB-T-BP-6000-8000-C	6000-8000	0.7	60@5400	60@8600	1.5	SMA Female	64x17x10.7
JXWBLB-T-BP-6500-8000-C	6500-8000	0.5	65@5500	85@9000	1.5	SMA Female	64x15x11.5
JXWBLB-T-BP-7300-8300-C	7300-8300	0.5	55@6800	55@8800	1.5	SMA Female	64x14x10
JXWBLB-T-BP-7500-8500-C	7500-8500	0.7	70@5000	70@11000	1.5	SMA Female	46x15x9
JXWBLB-T-BP-8000-10000-C	8000-10000	0.5	40@7000	45@11000	1.5	SMA Female	53x13x10
JXWBLB-T-BP-9000-9500-C	9000-9500	1.3	65@8790	65@9700	1.5	SMA Female	82x13.5x8.5
JXWBLB-T-BP-9200-9600-C	9200-9600	0.7	77@8650	33@9750	1.5	SMA Female	64x13.5x8.5
JXWBLB-T-BP-8800-10200-C	8800-10200	0.5	80@8000	80@11000	1.5	SMA Female	61x13x9
JXWBLB-T-BP-8000-11000-C	8000-11000	0.5	80@6000	55@12000	1.5	SMA Female	64x12.5x10
JXWBLB-T-BP-8000-12000-C	8000-12000	0.7	40@7100	40@13000	1.5	SMA Female	55x12.5x9
JXWBLB-T-BP-10000-11000-C	10000-11000	0.9	28@9800	45@11400	1.5	SMA Female	64x13x9
JXWBLB-T-BP-10000-12000-C	10000-12000	0.5	45@9000	45@13000	1.5	SMA Female	53x13x10
JXWBLB-T-BP-9000-15000-C	9000-15000	0.9	-	50@18000	1.5	SMA Female	49x13x9
JXWBLB-T-BP-12000-14000-C	12000-14000	0.5	42@11000	48@15000	1.5	SMA Female	53x13x9.4
JXWBLB-T-BP-13000-15000-C	13000-15000	0.7	65@12200	70@15800	1.5	SMA Female	70x12.5x9
JXWBLB-T-BP-14500-16000-C	14500-16000	1.2	55@14000	55@16500	1.5	SMA Female	67x13x8.5
JXWBLB-T-BP-14000-18000-C	14000-18000	0.7	75@12000	75@20000	1.5	SMA Female	58x13x9
JXWBLB-T-BP-15800-17400-C	15800-17400	1.0	80@14000	50@20000	1.5	SMA Female	53x13x10
JXWBLB-T-BP-17000-17500-C	17000-17500	1.5	55@16250	45@18250	1.5	SMA Female	52x12.5x9.5



P/N	3dB Cut Off (GHz)	Pass Band Loss ≤ 1dB (GHz)	Stop Band (dB Min@GHz)	Average Power (W)	VSWR Max	Connector
JXWBLB-T-LP-1-S	1	DC-0.9	45@1.15-4	15	2.0	SMA Female
JXWBLB-T-LP-2-S	2	DC-1.8	45@2.3-6	15	2.0	SMA Female
JXWBLB-T-LP-3-S	3	DC-2.7	45@3-8	15	2.0	SMA Female
JXWBLB-T-LP-4-S	4	DC-3.6	45@4.6-10	15	2.0	SMA Female
JXWBLB-T-LP-5-S	5	DC-4.5	45@5.8-12	15	2.0	SMA Female
JXWBLB-T-LP-6-S	6	DC-5.4	45@6.9-14	15	2.0	SMA Female
JXWBLB-T-LP-7-S	7	DC-6.3	45@8-15	15	2.0	SMA Female
JXWBLB-T-LP-8-S	8	DC-7.2	45@9.2-16	15	2.0	SMA Female
JXWBLB-T-LP-9-S	9	DC-8.1	45@10.4-16.5	15	2.0	SMA Female
JXWBLB-T-LP-10-S	10	DC-9	45@11.5-17	15	2.0	SMA Female
JXWBLB-T-LP-11-S	11	DC-9.9	45@12.7-17.5	15	2.0	SMA Female
JXWBLB-T-LP-12-S	12	DC-10.8	45@13.8-18.1	15	2.0	SMA Female
JXWBLB-T-LP-13-S	13	DC-11.7	45@15-18.8	15	2.0	SMA Female
JXWBLB-T-LP-14-S	14	DC-12.6	45@16.1-19.6	15	2.0	SMA Female
JXWBLB-T-LP-15-S	15	DC-13.5	45@17.3-21	15	2.0	SMA Female
JXWBLB-T-LP-16-S	16	DC-14.4	45@18.4-21.5	15	2.0	SMA Female
JXWBLB-T-LP-17-S	17	DC-15.3	45@19.6-22	15	2.0	SMA Female
JXWBLB-T-LP-18-S	18	DC-16.2	45@20.7-24	15	2.0	SMA Female

P/N	3dB BW (GHz)	Pass Band Loss ≤ 1dB (GHz)	Stop Band 1 (dB Min@GHz)	Stop Band 2 (dB Min@GHz)	Average Power (W)	VSWR Max	Connector
JXWBLB-T-BP-1-2-S	1-2	1.05-1.9	45@DC-0.85	45@2.3-4	15	2.0	SMA Female
JXWBLB-T-BP-2-4-S	2-4	2.1-3.8	45@ DC -1.7	45@4.6-7	15	2.0	SMA Female
JXWBLB-T-BP-4-8-S	4-8	4.2-7.6	45@ DC -3.4	45@9.2-12	15	2.0	SMA Female
JXWBLB-T-BP-8-18-S	8-18	8.4-17.1	45@ DC -6.8	45@20.7-22	15	2.0	SMA Female
JXWBLB-T-BP-4-6-S	4-6	4.2-5.7	45@ DC -3.4	45@6.9-9.5	15	2.0	SMA Female
JXWBLB-T-BP-6-8-S	6-8	6.3-7.6	45@ DC -5.1	45@9.2-12	15	2.0	SMA Female
JXWBLB-T-BP-8-12-S	8-12	8.4-11.4	45@ DC -6.8	45@13.8-17	15	2.0	SMA Female
JXWBLB-T-BP-12-18-S	12-18	12.6-17.1	45@ DC -10.2	45@20.7-22	15	2.0	SMA Female

P/N	3dB Cut Off (GHz)	Pass Band Loss ≤ 1dB (GHz)	Stop Band (dB Min@GHz)	Average Power (W)	VSWR Max	Connector
JXWBLB-T-HP-1-S	1	1.1-4	45@DC-0.85	15	2.0	SMA Female
JXWBLB-T-HP-2-S	2	2.2-12	45@DC-1.7	15	2.0	SMA Female
JXWBLB-T-HP-3-S	3	3.3-12	45@DC-2.55	15	2.0	SMA Female
JXWBLB-T-HP-4-S	4	4.4-12	45@DC-3.4	15	2.0	SMA Female
JXWBLB-T-HP-5-S	5	5.5-16	45@DC-4.25	15	2.0	SMA Female
JXWBLB-T-HP-6-S	6	6.6-18	45@DC-5.1	15	2.0	SMA Female
JXWBLB-T-HP-7-S	7	7.7-18	45@DC-5.95	15	2.0	SMA Female
JXWBLB-T-HP-8-S	8	8.8-18	45@DC-6.8	15	2.0	SMA Female
JXWBLB-T-HP-9-S	9	9.9-18	45@DC-7.65	15	2.0	SMA Female
JXWBLB-T-HP-10-S	10	11-18	45@DC-8.5	15	2.0	SMA Female
JXWBLB-T-HP-11-S	11	12.1-18	45@DC-9.35	15	2.0	SMA Female
JXWBLB-T-HP-12-S	12	13.2-18	45@DC-10.2	15	2.0	SMA Female

### Notes:

1. Operating Temperature : -40 °C to +80 °C. Storage Temperature : -55 °C to +85 °C.
2. Customization is welcome, Please ask.

Outline Drawings(Size: mm)

