



## Horn Antenna

### Standard Gain Horn Antenna 1.0~2.0GHz

P/N: OMCLB-650-10-NF

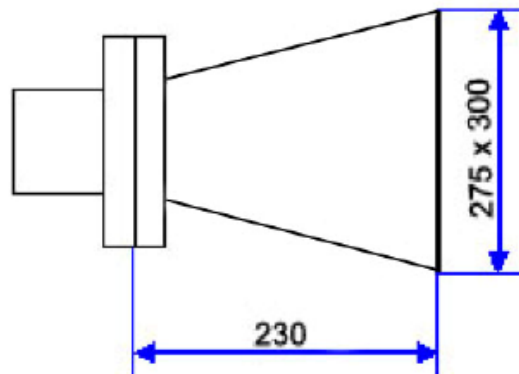
#### Technical Specification

Frequency (GHz)	Gain (dB)
1.0	7.0
1.1	9.7
1.2	11.1
1.3	11.5
1.4	12.2
1.5	12.4
1.6	12.7
1.7	13.3
1.8	14.0
1.9	13.8
2.0	14.6

#### Gain Table

Frequency Range (GHz)	1.0-2.0
Gain(dB)	10 Typ.
Waveguide	WR650
Connector	N-Female
Material	Al

#### Outline Drawing





## Horn Antenna

### Standard Gain Horn Antenna 1.14~1.72GHz

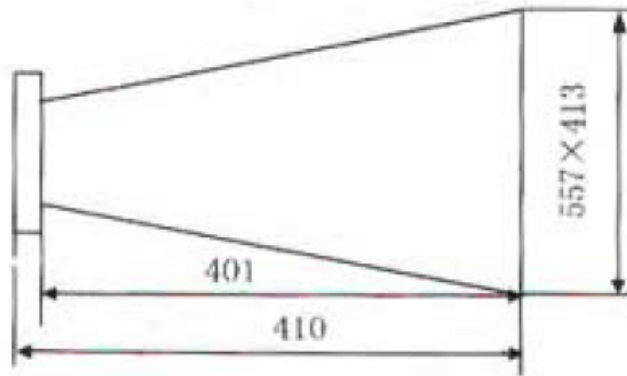
P/N: OMCLB-650-15.5



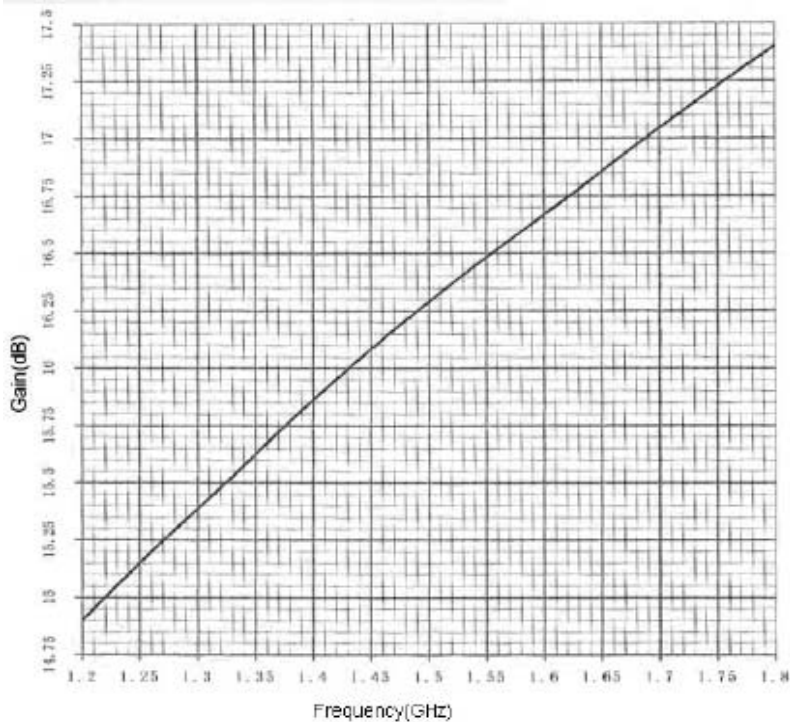
#### Technical Specification

Frequency Range (GHz)	1.14-1.72
Gain(dB)	15.5 Typ.
Waveguide	WR650
Material	Al

#### Outline Drawing



#### Gain



#### Gain Table

Frequency (GHz)	Gain (dB)
1.20	14.90
1.26	15.20
1.32	15.48
1.38	15.77
1.44	16.04
1.50	16.29
1.56	16.52
1.62	16.74
1.68	16.97
1.74	17.19
1.80	17.40



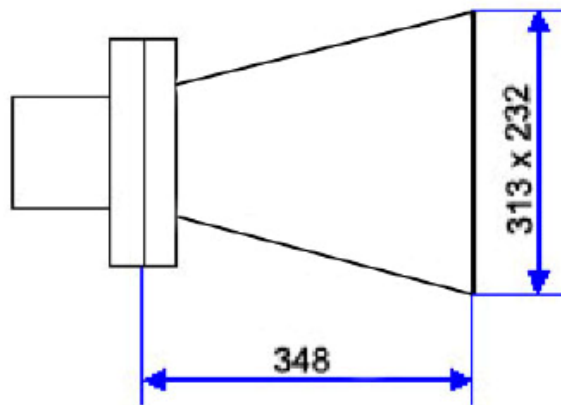
**Standard Gain Horn Antenna 1.72~2.60GHz**

P/N: OMCLB-430-15.5-NF

**Technical Specification**

<b>Frequency Range(GHz)</b>	1.72-2.60
<b>Gain(dB)</b>	15.5 Typ.
<b>Waveguide</b>	WR430
<b>Connector</b>	N-Female
<b>Material</b>	Al

**Outline Drawing**



**Beamwidth**

Frequency (GHz)	H(°)	E(°)
1.7	39.40	41.80
2.0	33.90	35.56
2.2	30.85	32.32
2.4	28.28	29.63
2.6	26.11	27.35

**Gain Table**

Frequency (GHz)	Gain (dB)
1.7	13.4
2.0	14.7
2.2	15.5
2.4	16.1
2.6	16.8



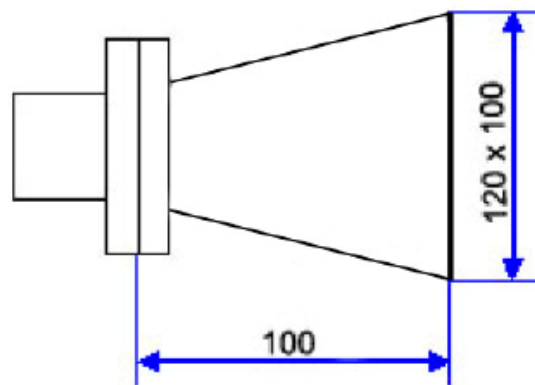
**Standard Gain Horn Antenna 2.6~4.0GHz**

P/N: OMCLB-284-12-NF

**Technical Specification**

<b>Frequency Range(GHz)</b>	2.6-4.0
<b>Gain(dB)</b>	12 Typ.
<b>Waveguide</b>	WR284
<b>Connector</b>	N-Female
<b>Material</b>	Al

**Outline Drawing**



**Beamwidth**

Frequency (GHz)	H(°)	E(°)
2.6	58.4	57.6
2.8	55.5	54.4
3.0	52.4	51.2
3.3	47.8	45.9
3.6	43.7	41.5
3.8	41.0	38.8
4.0	40.6	35.6

**Gain Table**

Frequency (GHz)	Gain (dB)
2.6	9.8
2.8	10.4
3.0	11.0
3.3	11.9
3.6	12.8
3.8	13.2
4.0	13.6



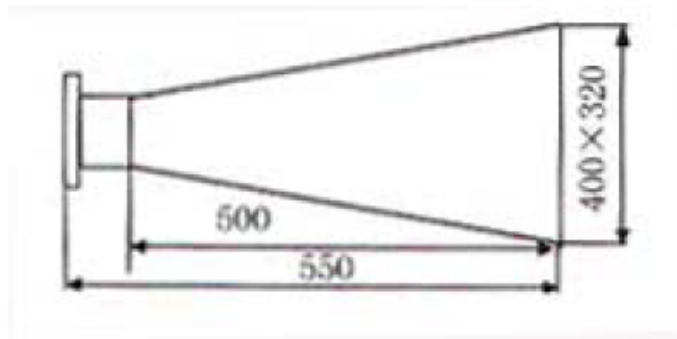
**Standard Gain Horn Antenna 2.60~3.95GHz**

**P/N: OMCLB-284-20**

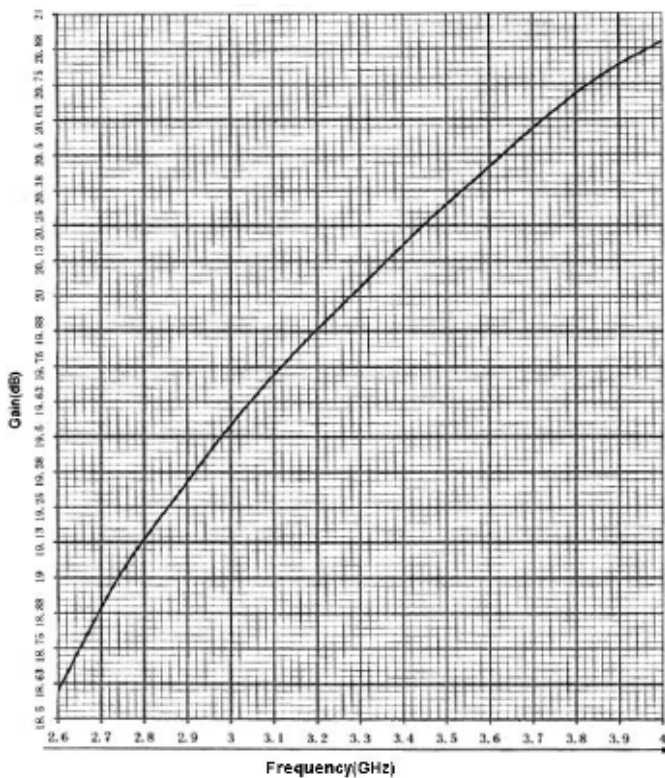
**Technical Specification**

<b>Frequency Range(GHz)</b>	2.60-3.95
<b>Gain(dB)</b>	20 Typ.
<b>Waveguide</b>	WR284
<b>Material</b>	Al

**Outline Drawing**



**Gain**



**Gain Table**

<b>Frequency (GHz)</b>	<b>Gain (dB)</b>
2.60	18.60
2.74	19.00
2.88	19.30
3.02	19.58
3.16	19.82
3.30	20.03
3.44	20.24
3.58	20.43
3.72	20.62
3.86	20.78
4.00	20.90



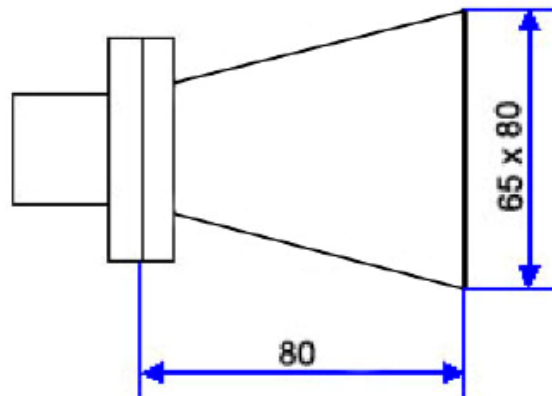
**Standard Gain Horn Antenna 4.0~8.0GHz**

P/N: OMCLB-159-13.5-NF

**Technical Specification**

<b>Frequency Range(GHz)</b>	4.0-8.0
<b>Gain(dB)</b>	13.5 Typ.
<b>Waveguide</b>	WR159
<b>Connector</b>	N-Female
<b>Material</b>	Al

**Outline Drawing**



**Beamwidth**

<b>Frequency (GHz)</b>	<b>H(°)</b>	<b>E(°)</b>
4.0	57.3	57.0
4.5	52.7	51.8
5.0	47.9	46.8
5.5	43.0	41.7
6.0	40.4	36.2
6.5	37.1	34.7
7.0	34.9	33.9
7.5	33.2	30.8
8.0	31.3	28.7

**Gain Table**

<b>Frequency (GHz)</b>	<b>Gain (dB)</b>
4.0	10.0
4.5	10.9
5.0	11.8
5.5	12.8
6.0	13.6
6.5	13.9
7.0	14.6
7.5	15.2
8.0	15.5





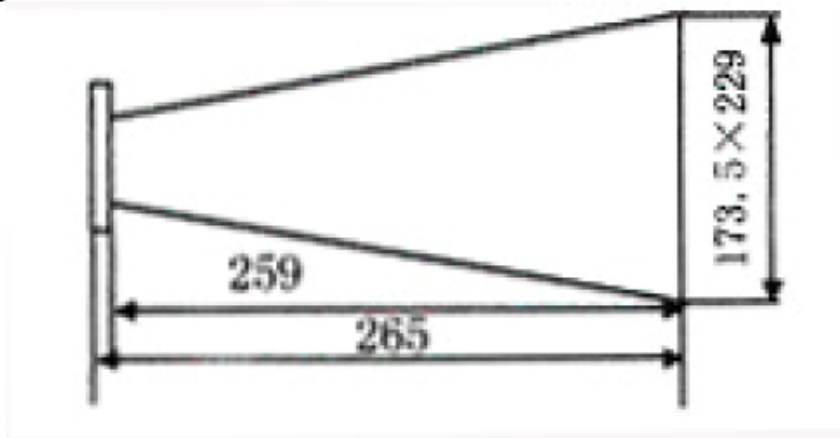
**Standard Gain Horn Antenna 4.95~7.05GHz**

**P/N: OMCLB-159-20**

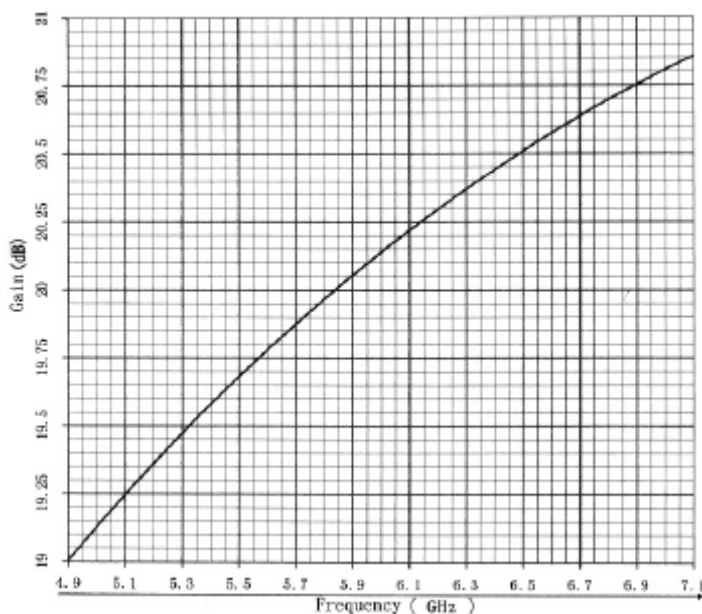
**Technical Specification**

<b>Frequency Range(GHz)</b>	4.95-7.05
<b>Gain(dB)</b>	20 Typ.
<b>Waveguide</b>	WR159
<b>Material</b>	Al

**Outline Drawing**



**Gain**



**Gain Table**

Frequency (GHz)	Gain (dB)	Frequency (GHz)	Gain (dB)
4.90	19.004	6.10	20.220
5.00	19.128	6.20	20.297
5.10	19.247	6.30	20.372
5.20	19.362	6.40	20.440
5.30	19.473	6.50	20.510
5.40	19.580	6.60	20.575
5.50	19.682	6.70	20.637
5.60	19.781	6.80	20.696
5.70	19.876	6.90	20.752
5.80	19.967	7.00	20.806
5.90	20.055	7.10	20.856
6.00	20.139		



## Horn Antenna

### Standard Gain Horn Antenna 4.95~7.05GHz

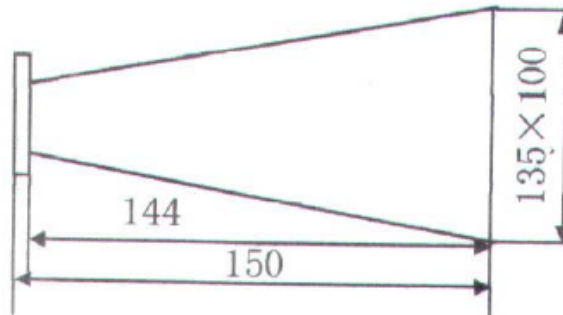
P/N: OMCLB-159-15.5-NF



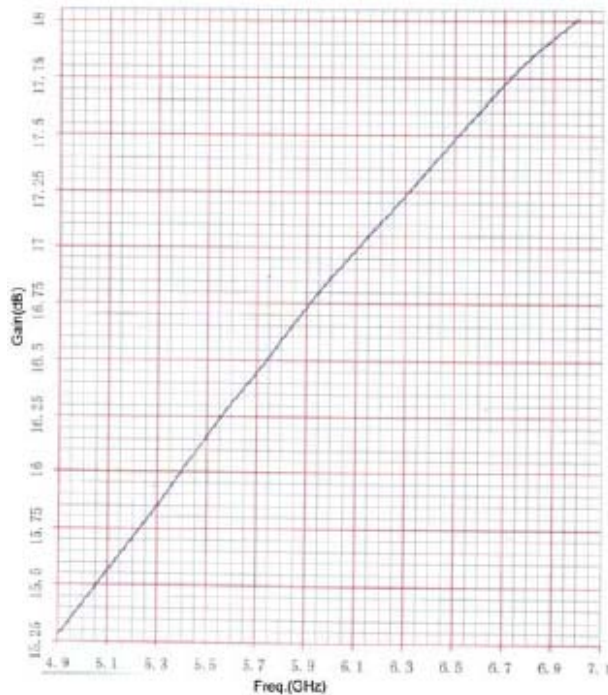
#### Technical Specification

<b>Frequency Range(GHz)</b>	4.95-7.05
<b>Gain(dB)</b>	15.5 Typ.
<b>Waveguide</b>	WR159
<b>Connector</b>	N-Female
<b>Material</b>	Al
<b>Net Weight(Kg)</b>	0.515 Around

#### Outline Drawing



#### Gain



#### Gain Table

Frequency (GHz)	Gain (dB)
4.90	15.28
5.11	15.58
5.32	15.88
5.53	16.21
5.74	16.50
5.95	16.80
6.16	17.06
6.37	17.32
6.58	17.58
6.79	17.82
7.00	18.01



## Standard Gain Horn Antenna



The OMCLB series standard gain horn antennas are linearly polarized and provide an efficient low cost means of making measurements. OMC's standard gain horn antenna can cover from 260MHz to 110GHz frequency range. These horns are ideally suited for EMI testing, direction finding, surveillance, antenna gain and pattern measurements and other applications. Also we provide specific standard gain horn antennas according to customers' requirement.

Model	Frequency (GHz)	Waveguide	Gain (dB)	Size AxBxH (mm)	Material
OMCLB-650-10	1.0-2.0	WR650	10	275×300×230	Al
OMCLB-650-15.5	1.14-1.72	WR650	15.5	557×413×410	Al
OMCLB-510-15.50-15.5	1.45-2.2	WR510	15.5	446×345×350	Al
OMCLB-430-15.5	1.72-2.6	WR430	15.5	313×232×348	Al
OMCLB-340-15.5	2.17-3.3	WR340	15.5	309×238.5×235	Al
OMCLB-284-12	2.6-4.0	WR284	12	20×100×100	Al
OMCLB-284-20	2.6-3.95	WR284	20	400×320×550	Al
OMCLB-229-20	3.3-4.9	WR229	20	350×270×390	Al
OMCLB-187-20	3.95-5.85	WR187	20	280×215×320	Al
OMCLB-159-15.5	4.95-7.05	WR159	15.5	135×100×150	Al
OMCLB-159-13.5	4.0-8.0	WR159	13.5	65×80×80	Al
OMCLB-159-20	4.95-7.05	WR159	20	173.5×229×265	Al
OMCLB-137-20	5.85-8.2	WR137	20	193×149×290	Al
OMCLB-137-15.5	5.85-8.2	WR137	15.5	110×140×189	Al
OMCLB-112-20	7.05-10.0	WR112	20	169.38×125.47×230	Al
OMCLB-90-10	8.0-12.4	WR90	10	32×24×80	Cu
OMCLB-90-20	8.2-12.4	WR90	20	135×104×200	Al/Cu
OMCLB-90-22	8.0-12.0	WR90	22	195×145×239	Cu
OMC LB-90-25	8.2-12.4	WR90	25	200×240× 836	Al/Cu
OMC LB-75-20	10.0-15.0	WR75	20	108 ×83× 135	Al/Cu
OMCLB-62-10	12.0-18.0	WR62	10	24×18×60	Cu
OMC LB-62-20	12.4-18.0	WR62	20	90×69×135	Al/Cu
OMCLB-62-23.5	12.0-18.0	WR62	23.5	130 ×96× 319	Cu
OMCLB-62-24.7	12.4-18.0	WR62	24.7	152×125× 356	Al/Cu
OMC LB-51-20	15.0-22.0	WR51	20	80×60×100	Cu
OMCLB-51-24.7	15.0-22.0	WR51	24.7	129×79×25	Cu
OMCLB-42-20	18.0-26.5	WR42	20	61.4×47.3×90	Cu
OMCLB-42-24.7	18.0-26.5	WR42	24.7	102×83×271	Cu
OMCLB-34-24.7	22.0-33.0	WR34	24.7	89×68.7×200	Cu
OMCLB-28-20	26.5-40.0	WR28	20	38.5×30×70	Cu
OMCLB-28-24.7	26.5-40.0	WR28	24.7	69×57×172	Cu
OMCLB-22-24.7	33.0-50.0	WR22	24.7	-	Cu
OMCLB-18-24.7	40.0-60.0	WR18	24.7	-	Cu
OMCLB-15-15	50.0-75.0	WR15	15	12×8.5×40	Cu
OMCLB-14-24.7	50.0-75.0	WR14	24.7	-	Cu
OMCLB-12-24.7	60.0-90.0	WR12	24.7	-	Cu
OMCLB-12-20	60.0-90.0	WR12	20	20×16×31.4	Cu
OMCLB-10-24.7	75.0-110.0	WR10	24.7	26×20×70	Cu
OMCLB-10-15	75.0-110.0	WR10	15	15 9×6.5×25	Cu