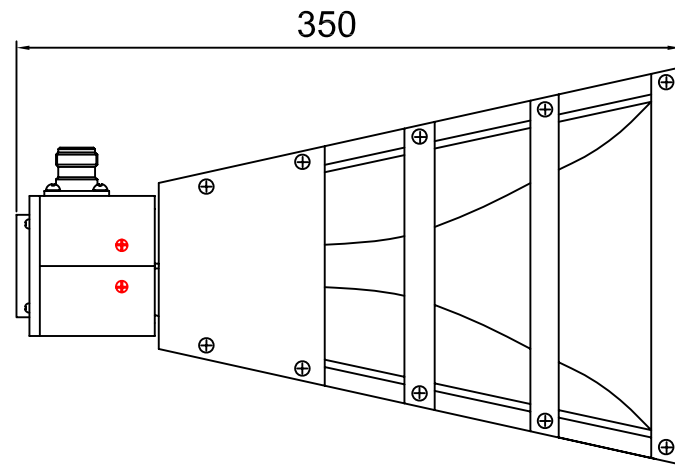
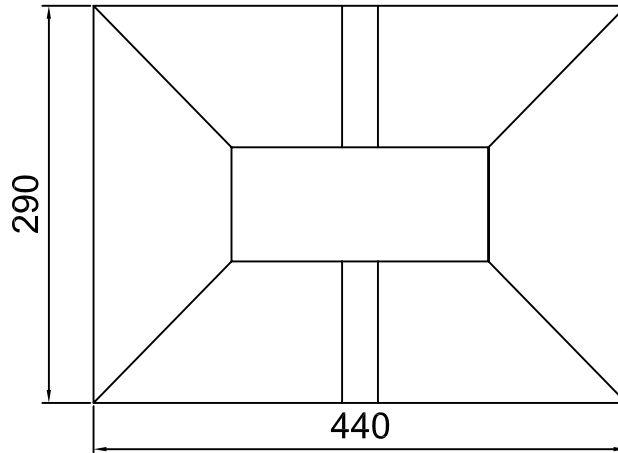
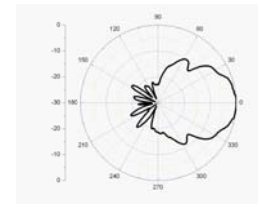


oceanmicrowave
 proprietary statement
 THE INFORMATION CONTAINED HEREIN IS
 COMPANY PROPRIETARY AND SHALL NOT BE
 DISCLOSED, COPIED OR USED IN WHOLE OR IN
 PART FOR ANY PURPOSE WITHOUT THE WRITTEN
 APPROVAL OF OCEANMICROWAVE CO.

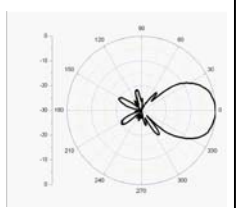


SPECIFICATIONS

Frequency: 1–3GHz
 Gain: 10-15dBi
 VSWR. Typ.: 2:1
 3dB beamwidth: 40°-15°
 Polarization: Linear
 Impedance: 50Ω
 Port: N/SMA



Azimuth



Elevation

DRAWN	TAO
DATE	2010.2.1
CHEKED	XING
DATE	2010.2.2

DIMENSIONS ARE IN mm		OCEAN MICROWAVE	
TOLERANCES		BROADBAND HORN ANTENNA	
FRACTIONS ±1/100	DECIMALS .X ± .030	SCALE **:**	SHEET 1 OF 1
ANGLES ±1/2°	.XX ± .020 .XXX ± .005		
THIRD ANGLE PROJECTION ⊕ →	DO NOT SCALE THIS DRAWING	SIZE D	DRAWING NO. OBH1030